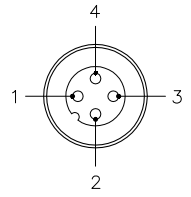
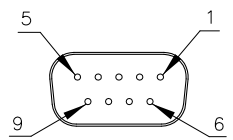


MALE END VIEW



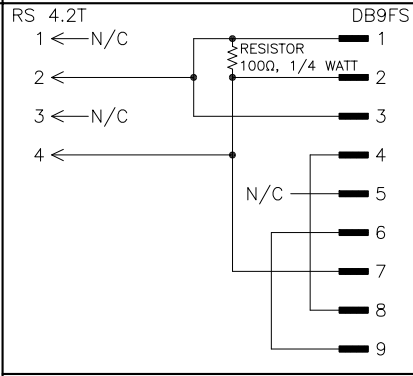
- 1 = N/C
- 2 = WHITE
- 3 = N/C
- 4 = BLACK

DB9FS END VIEW



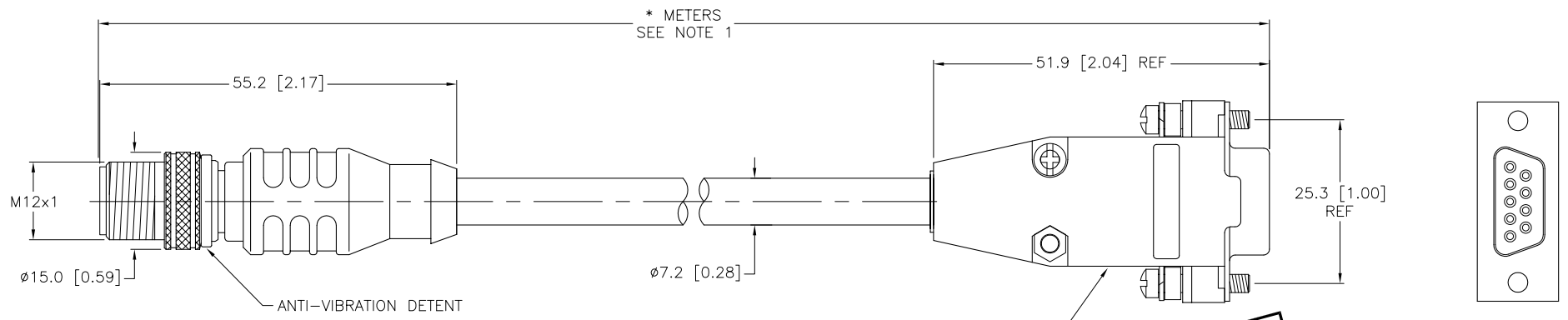
- 1 = WHITE
- 2 = BLACK
- 3 = WHITE, JUMPER TO P1
- 4 = JUMPER TO PIN 8
- 5 = N/C
- 6 = JUMPER TO PIN 9
- 7 = BLACK JUMPER TO 2
- 8 = JUMPER TO PIN 4
- 9 = JUMPER TO PIN 6

WIRING DIAGRAM



SPECIFICATIONS

CONTACT CARRIER MATERIAL/COLOR	PUR/BLACK
MOLDED HEAD MATERIAL/COLOR	THERMOPLASTIC PUR/YELLOW
CONTACT MATERIAL/PLATING	BRASS/GOLD
COUPLING NUT MATERIAL/PLATING	BRASS/NICKEL
RATED CURRENT [A]	4.0 A
RATED VOLTAGE [V]	250 V
OUTER CABLE JACKET MATERIAL/COLOR	PVC/GRAY
CONDUCTOR INSULATION MATERIAL	PVC
NUMBER OF CONDUCTORS [AWG]	4x22 AWG
DRAIN/SHIELD	22 AWG DRAIN/FOIL AND BRAIDED SHIELD
TEMPERATURE RANGE	-40°C to +105°C (-40°F to +221°F)
PROTECTION CLASS	MEETS NEMA 1,3,4,6P AND IEC IP68



AMP BACKSHELL: 748676-1
AMP CONTACT HOLDER: 745491-3



NOTE
PRELIMINARY SPECIFICATIONS

SOURCE DRAWING - FOR REFERENCE ONLY

CABLE LENGTH	TOLERANCE
ALL LENGTHS	+ 4% (OR 50mm) OF LENGTH - 0% (OR 0mm) OF LENGTH WHICHEVER IS GREATER
STRIP LENGTH	TOLERANCE
0-7mm	±0.5mm
8-29mm	±1.0mm
30-49mm	±2.0mm
50-69mm	±3.0mm
70-100mm	±4.0mm
OVER 100mm	±5.0mm

NOTES:

- "*" INDICATES CABLE LENGTH IN METERS. CONTACT TURCK TO ORDER SPECIFIC LENGTHS.
- "/CS..." DESIGANTEAS EURO TO DB9 CUSTOM WIRED. SHIELD IS CONNECTED TO HOUSING ON DB9 CONNECTOR. NUMBER TO BE ASSIGNED WHEN ORDERED.

RELATED DOCUMENTS 1. 2. 3. 4.	3RD ANGLE PROJECTION 	THIS DRAWING IS PROPERTY OF TURCK INC. USE OF THIS DOCUMENT WITHOUT WRITTEN PERMISSION IS PROHIBITED.	 3000 CAMPUS DRIVE MINNEAPOLIS, MN 55441 1-800-544-7769 (763) 553-7300 (763) 553-0708 fax turck.com	
	TOLERANCES UNLESS OTHERWISE SPECIFIED		DRFT RWC	DATE 05/05/08
MATERIAL SEE SPECIFICATIONS	0.5 TO 6 ±0.1 6 TO 30 ±0.2 30 TO 200 ±0.3 OVER 200 ±0.4 ANGLES ±1°	DSGN	SCALE 1=1.0	
FINISH SEE SPECIFICATIONS	ALL INCH DIMENSIONS ARE REFERENCE ONLY	UNIT OF MEASUREMENT MILLIMETER [INCH]		IDENTIFICATION NO.
P1	RWC	05/05/08		REV P1
REV	DESCRIPTION	BY	DATE	ECO NO.
			DO NOT SCALE THIS DRAWING	FILE: RSS 4.2T--_--DB9FS_CS
				SHEET 1 OF 1