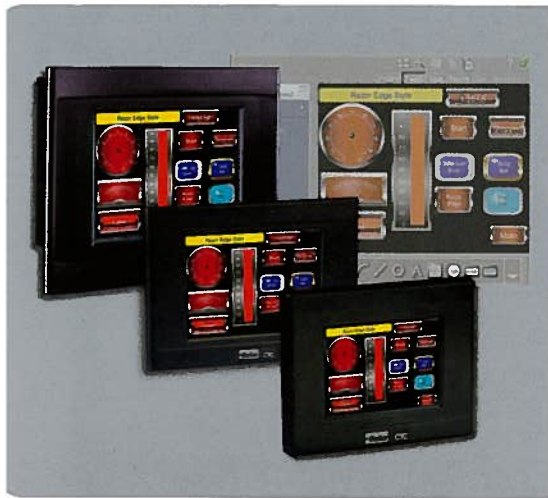


XPR PowerStations

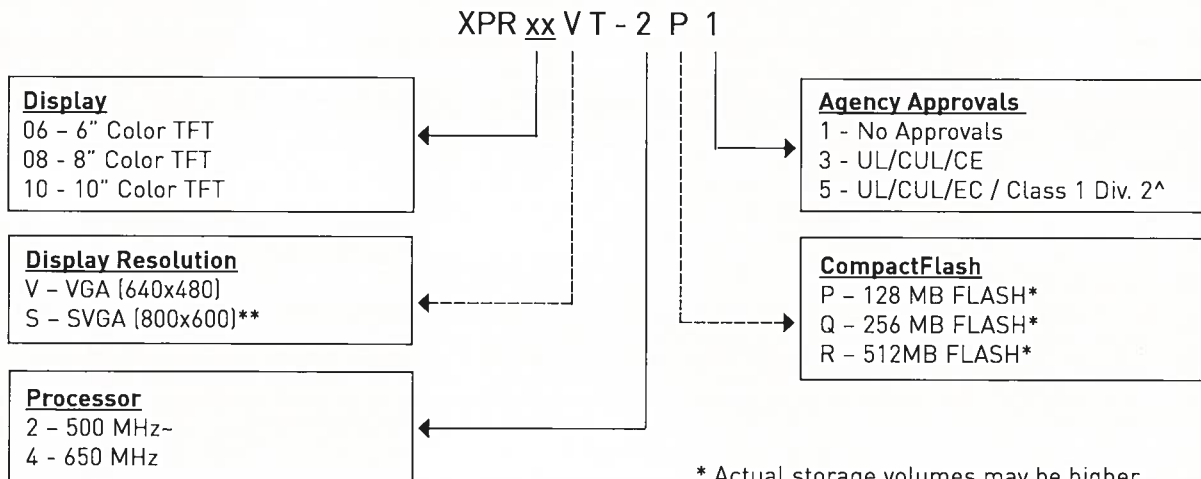


Distributed HMI in a Durable and Affordable Package

This CTC-designed and manufactured XPR PowerStation line offers a hardware/software solution that simplifies and cost-reduces Distributed HMI applications. Available with a 6", 8" or 10" TFT panel mount touchscreen, XPR models are designed to optimize the performance, storage and connectivity features of Interact Xpress™ HMI software.

This NEMA4/4X-rated family of CE-based workstations features the latest embedded processor technology supporting fanless operation, CompactFlash® storage, USB, serial and 100BaseT Ethernet connectivity, as well as an industry-leading 24 month warranty and free phone-based technical support

Model Number Configurations



* Actual storage volumes may be higher

** SVGA Display Resolution is only available with 10" Display option.

~ 500 MHz Processor option is only available with 6" display models.

^ Class 1 Division 2 is an extra cost option. [Approval is pending for 8" and 10.4" products.]

Units are 24VDC. Use P1X-PWRAC power supply for AC power. Power supply cannot be mounted on back of unit.

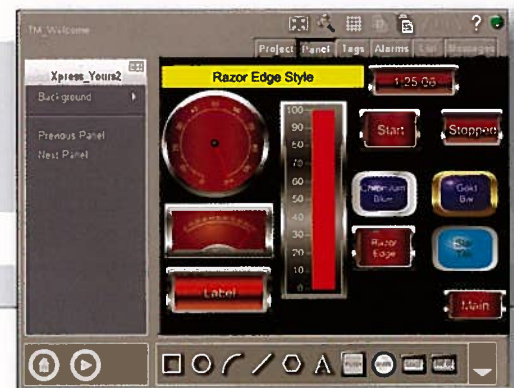
PA/EPX/XPR/XPC AC Power Supply P1X-PWRAC

Note:
All systems include 0-50 °C operation, 24VDC power and agency approvals for CE, UL & CUL. Display based systems include an analog resistive touchscreen, NEMA 4/4X rated package.

All published product specifications are subject to change without notice.



Categories	Features	6" Display (XPR06)	8" Display (XPR08)	10" Display (XPR10)
Display	Specification	6" Color TFT 5.7" (145mm) Diagonal VGA (640x480) Resolution 350 NIT, 262,144 Color TFT +/- 80° L/R, 80° U, 70° D Viewing Angle 75,000 hour backlight (to half brightness)	8" Color TFT 8.0" (203mm) Diagonal VGA (640x480) Resolution 380 NIT, 262,144 Color TFT +/- 65° L/R, 65° U, 55° D Viewing Angle 20,000 hr. backlight (to half brightness)	10" Color TFT 10.4" (264mm) Diagonal VGA (600x480) Resolution SVGA (800x600) Resolution 350 NIT, 262,144 Color TFT +/- 70° L/R, 40° U, 70° D Viewing Angle 50,000 hour backlight (to half brightness)
	Interface	Analog Resistive Touchscreen		
Operating System		Windows CE version 5.0		
Processor Support	Processor Cache	CPU 500MHz LX800 processor (XPR06) 256KB (L1/L2)	CPU 650MHz Celeron ULV Processor (XPR08/10) 256KB (L2)	
Memory	System	256MB Shared DDR Memory (1) 200-pin SODIMM socket, 256MB (std.)	256MB Shared Memory (1) 144-pin SODIMM socket, 256MB (std.)	
	Video	64MB Shared System Memory		
Storage Options	CompactFlash Floppy/CD ROM	128MB* CompactFlash External Type II slot (IDE Bootable) External connection via USB		
Ports	Keyboard Mouse USB	USB 2.0 USB 2.0 (2) USB 2.0 ports Type-A, CD/Floppy/ USB Drive bootable with over current protection	PS/2 PS/2 (2) USB 1.1 ports Type-A, CD/Floppy/ USB Drive bootable with over current protection	
	Serial Ethernet Audio	(1) RS232 9-Pin D-sub (1) RS232/422/485 9-Pin D-sub (1) 10/100Base-T w/ RJ45 Stereo output, 1/8" mini plug	(1) RS232 9-Pin D-sub (1) RS232/422/485 9-Pin D-sub (1) 10/100Base-T w/ RJ45 No Audio	
Expansion Slots		N/A		
BIOS Options		Plug-n-Play Configurable Boot Devices: • CompactFlash • USB (CD/ROM, Floppy, Thumb Drive)		
Package	Temperature Range	0-50°C		
	Rel. Humidity Vibration Shock	5-95% (non-cond.) 10-500 Hz .5grms (random-operational-HD) 10-500 Hz 1grms (random-operational-CompactFlash) 10G, 11 msec (operating) 30G, 11 msec (non-operating)		
Power Requirement		24 VDC, 2A maximum, Optional AC Adaptor		
Agency Approval		CE, UL/CUL; Class 1 Div. 2~		



* Actual storage volumes may be higher
~ Class 1 Div. 2 Agency Approval (optional) pending on 8" and 10" Display Options.

XPR PowerStations come installed with InteractXpress™ software, a new HMI solution that fully leverages the wide availability of web browsing software to enable Distributed HMI, remote support and application sharing on the Internet and IP Networks. Xpress HMI applications are developed, edited, published and run in an HMI that is a Web Server.

For more information about XPR PowerStations
visit ctcusa.com or call us at **1.800.233.3329**

All published product specifications are subject to change without notice.