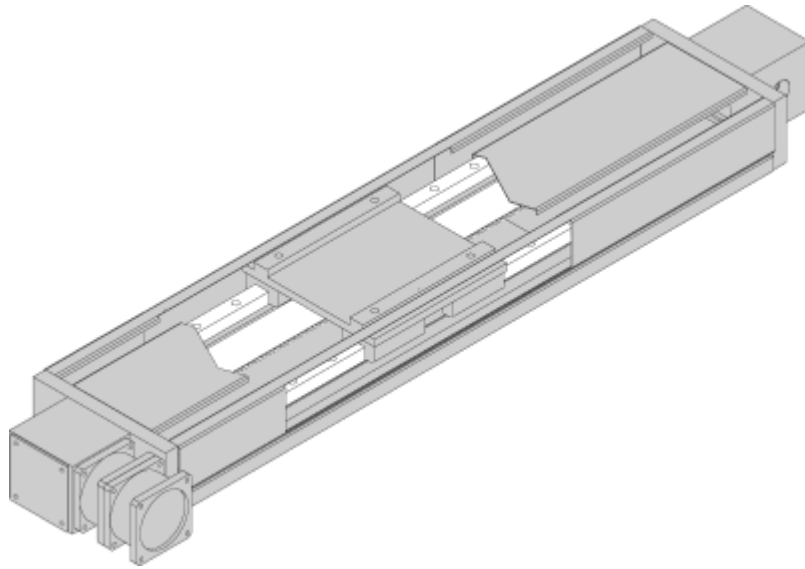


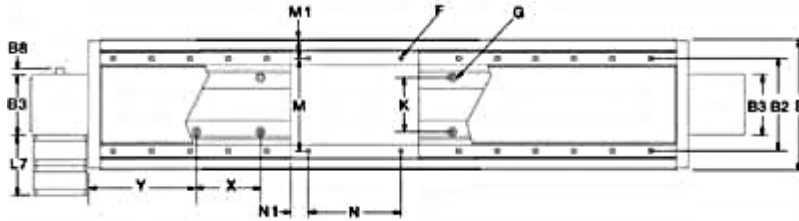


## 2HE Continuously Supported ProfileRail\* System

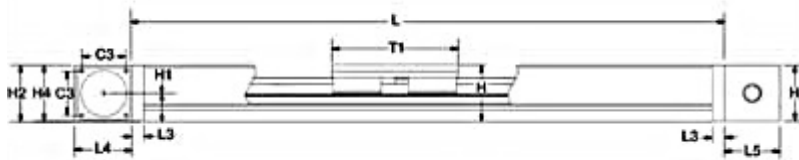


The specifications in this publication are believed to be accurate and reliable. However, it is the responsibility of the product user to determine the suitability of Thomson products for a specific application. While defective products will be replaced without charge if promptly returned, no liability is assumed beyond such replacement.

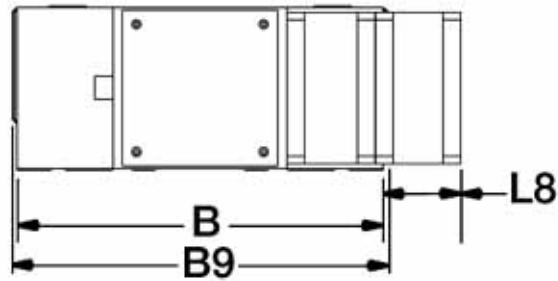
### Top Dimensions



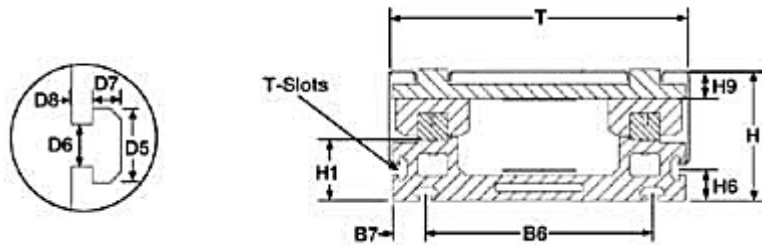
### Side Dimensions



### End Dimensions



### Carriage Cross-Section



### Load/Life Graph

The specifications in this publication are believed to be accurate and reliable. However, it is the responsibility of the product user to determine the suitability of Thomson products for a specific application. While defective products will be replaced without charge if promptly returned, no liability is assumed beyond such replacement.

Part Number	Gear Ratio	Motor Frame Size	Gearbox PN	Shaft Diameter	Maximum Length	L3	L4	L5	L7	L8	T1	K	H	H1	H2	H4	H6
2HE10	1:1	NEMA23	NT-23-1	10	1000	12,5	61,5	61,5	71,6	54,1	100	35	60	31	61	60	15
2HE20	1:1	NEMA23	NT-23-1	20	3000	20	101,5	101,5	95	42,5	200	85	90	45	89	88	22,5
2HE10	3:1	NEMA23	NT-23-3	10	1000	12,5	61,5	61,5	71,6	54,1	100	35	60	31	61	60	15
2HE20	3:1	NEMA23	NT-23-3	20	3000	20	101,5	101,5	95	42,5	200	85	90	45	89	88	22,5
2HE10	5:1	NEMA23	NT-23-5	10	1000	12,5	61,5	61,5	71,6	54,1	100	35	60	31	61	60	15
2HE20	5:1	NEMA23	NT-23-5	20	3000	20	101,5	101,5	95	42,5	200	85	90	45	89	88	22,5
2HE10	10:1	NEMA23	NT-23-10	10	1000	12,5	61,5	61,5	71,6	54,1	100	35	60	31	61	60	15
2HE20	10:1	NEMA23	NT-23-10	20	3000	20	101,5	101,5	95	42,5	200	85	90	45	89	88	22,5

Part Number	Gear Ratio	H9	B	T	B2	B3	B6	B7	B8	B9	C3	D5	D6	D7	D8	N	N1	M	M1	X	Y	F	Bolt (G)
2HE10	1:1	13	100	100	70	65	70	15	6,6	105	47,15	10,5	6	3,0	2,5	70	15	70	15	75	37,5	M5	M5
2HE20	1:1	20	200	200	145	95	155	22,5	10	205	69,6	16,5	8,1	6	4	145	27,5	145	27,5	120	42,5	M10	M10
2HE10	3:1	13	100	100	70	65	70	15	6,6	105	47,15	10,5	6	3,0	2,5	70	15	70	15	75	37,5	M5	M5
2HE20	3:1	20	200	200	145	95	155	22,5	10	205	69,6	16,5	8,1	6	4	145	27,5	145	27,5	120	42,5	M10	M10
2HE10	5:1	13	100	100	70	65	70	15	6,6	105	47,15	10,5	6	3,0	2,5	70	15	70	15	75	37,5	M5	M5
2HE20	5:1	20	200	200	145	95	155	22,5	10	205	69,6	16,5	8,1	6	4	145	27,5	145	27,5	120	42,5	M10	M10
2HE10	10:1	13	100	100	70	65	70	15	6,6	105	47,15	10,5	6	3,0	2,5	70	15	70	15	75	37,5	M5	M5
2HE20	10:1	20	200	200	145	95	155	22,5	10	205	69,6	16,5	8,1	6	4	145	27,5	145	27,5	120	42,5	M10	M10

The specifications in this publication are believed to be accurate and reliable. However, it is the responsibility of the product user to determine the suitability of Thomson products for a specific application. While defective products will be replaced without charge if promptly returned, no liability is assumed beyond such replacement.

**USA, Canada, or Mexico:**  
**If you have any questions, contact us at:**

<b>Phone:</b> 1-540-633-3400	<b>Or Write:</b>
<b>Fax:</b> 1-540-639-4162	Danaher Motion
<b>Email:</b> <a href="mailto:DMAC@danahermotion.com">DMAC@danahermotion.com</a>	203A West Rock Road
<b>Literature:</b> <a href="mailto:litrequest@danahermotion.com">litrequest@danahermotion.com</a>	Radford, VA 24141 USA

\*Trademark of Danaher Motion. DANAHER MOTION is registered in the U.S Patent and Trademark Office and in other countries. Printed in the U.S.A. The specifications in this publication are believed to be accurate and reliable. However, it is the responsibility of the product user to determine the suitability of Thomson products for a specific application. While defective products will be replaced without charge if promptly returned, no liability is assumed beyond such replacement.

The specifications in this publication are believed to be accurate and reliable. However, it is the responsibility of the product user to determine the suitability of Thomson products for a specific application. While defective products will be replaced without charge if promptly returned, no liability is assumed beyond such replacement.