

TURCK

Network Media Products

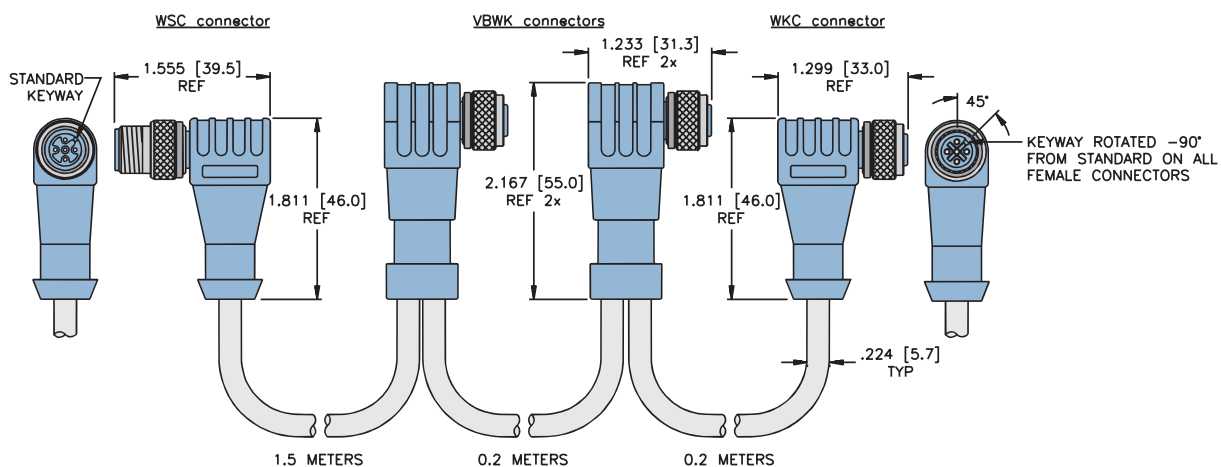
DeviceNet™, eurofast® Daisy Chain Configurations

- Multi-drop Harnesses Designed for OEM Applications
- Provides Cost Effective Solution vs. Single Tees and Drops

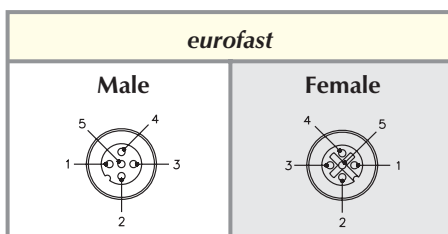


Part Number	Specs	Application
WSC 2VBWK WKC 5724-DCL	PUR (Polyurethane) 250 V, 4 A -40° to +75°C	(M12x1) eurofast Trunk and Drop Harness <ul style="list-style-type: none"> • Available in custom configurations including length, number of drops and end connector styles

Consult factory for other designs.



Pinouts



DeviceNet™, eurofast® Daisy Chain Configurations

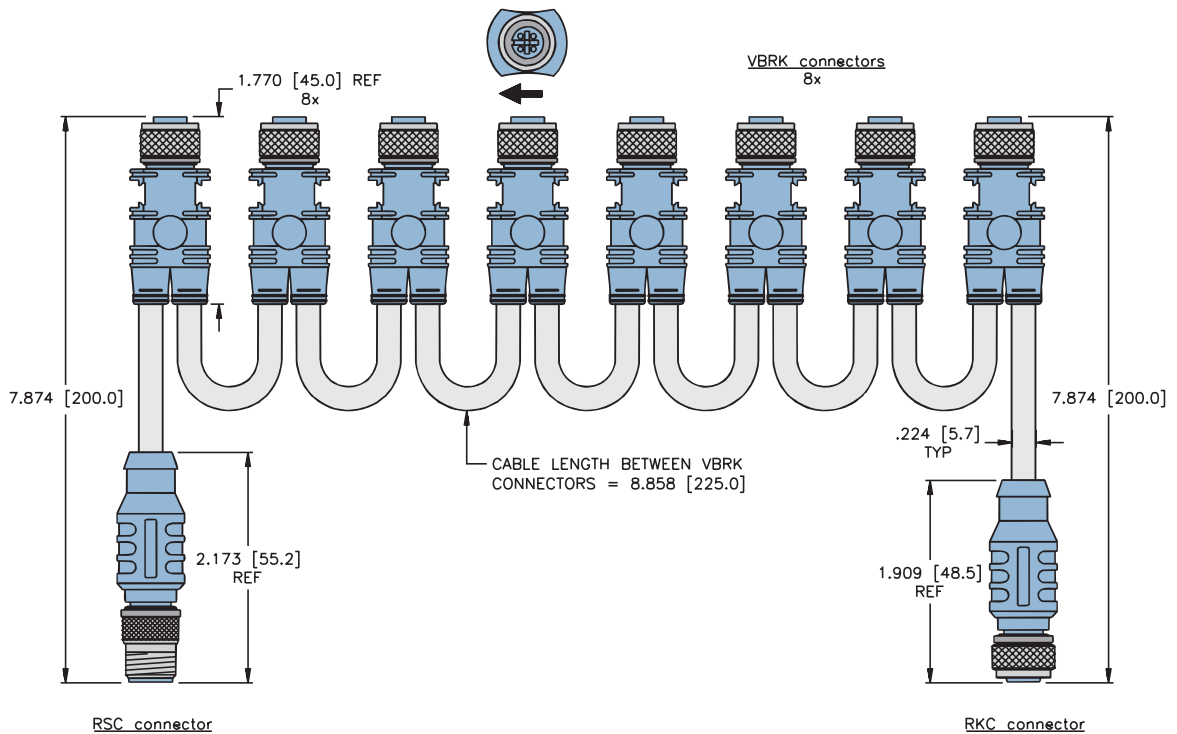
- Multi-drop Harnesses Designed for OEM Applications
- Provides Cost Effective Solution vs. Single Tees and Drops



Part Number	Specs	Application
RSC 8VBRK RKC 5724-DCL	PUR (Polyurethane) 250 V, 4 A -40° to +75°C	(M12x1) eurofast Trunk and Drop Harness <ul style="list-style-type: none"> • Available in custom configurations including length, number of drops and end connector styles

DeviceNet Media

Consult factory for other designs.



Pinouts

