

OEM Stations



- PC-Board Slaves
- Small Footprint
- Ideal for Retrofits
- Bus Powered I/O

Electrical

- Operating Current: <50 mA plus sum of I/O currents (from DeviceNet)
- Input Current: <700 mA sum of all inputs (from DeviceNet)
- Output Current: <500 mA per output (from DeviceNet)

Power Distribution

- Inputs: DeviceNet power supply
- Outputs: DeviceNet power supply

Mechanical

- Operating Temperature: -40 to +70°C (-40 to +158°F)
- Protection: Open Frame

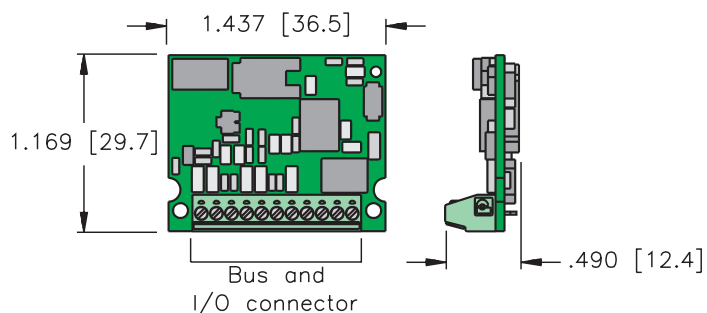
Diagnostics (Logical)

- One bit in I/O table indicates input fault for entire station, one bit per output for fault indication

FDN-PCB-22

FDN-PCB-22-OEM*

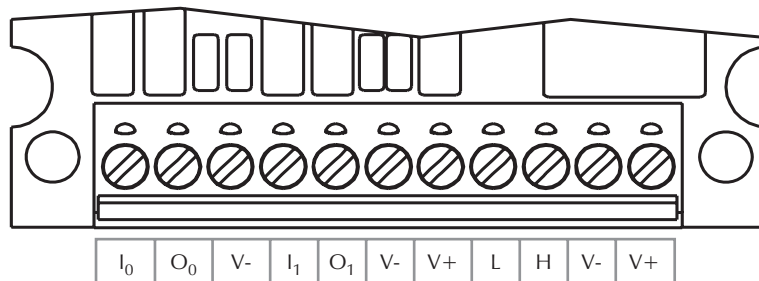
* Not CE



		Inputs						Outputs					Data
Part Number	Connector	Input Count	Pinout	Style	Group Diagnostics	Individual Diagnostics	OCD	Output Count	Pinout	Current	Individual Diagnostics	OCD	Map
FDN-PCB-22	Screw Terminal	2	DN-O1	PNP	X			2	DN-O1	0.5A	X		1
FDN-PCB-22-OEM	None	2	DN-O1	PNP	X			2	DN-O1	0.5A	X		1

Input/Output Connectors

DN-O1



Note: L refers to CAN_L and H refers to CAN_H

I/O Data Map 1

	Byte	Bit 7	Bit 6	Bit 5	Bit 4	Bit 3	Bit 2	Bit 1	Bit 0
In	0	IGS	-	-	-	OS-1	OS-0	I-1	I-0
Out	0	-	-	-	-	-	-	O-1	O-0

OEM Station



- PC-Board Slaves
- Small Footprint
- Ideal for Retrofits
- Included Mounting Bracket

Electrical

- Operating Current: <50 mA plus sum of I/O currents (from DeviceNet)
- Input Current: <700 mA sum of all inputs (from DeviceNet)
- Output Current: <500 mA per output (from DeviceNet)

Power Distribution

- Inputs: DeviceNet power supply
- Outputs: Auxiliary power supply

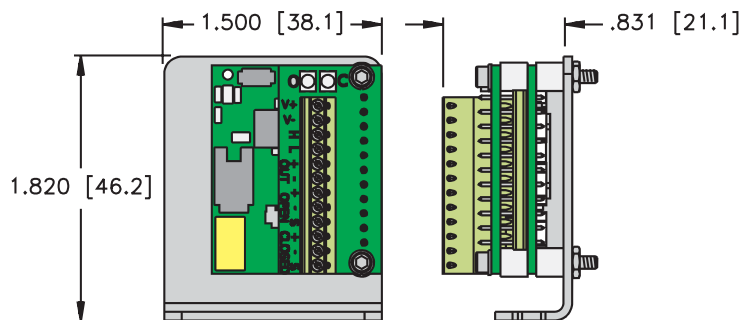
Mechanical

- Operating Temperature: -40 to +70°C (-40 to +158°F)
- Protection: Open Frame

Diagnostics (Logical)

- One bit in I/O table indicates input fault for entire station, one bit per output for fault indication

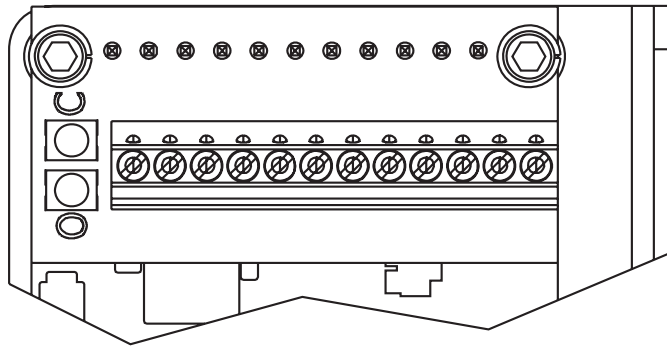
FDN-PCB-22-1003-BKT



Inputs							Outputs				Data	
Part Number	Input Count	Pinout	Style	Group Diagnostics	Individual Diagnostics	OCD	Output Count	Pinout	Current	Individual Diagnostics	OCD	Map
FDN-PCB-22-1003-BKT	2	DN-O3	PNP	X			1	DN-O3	0.5 A	X		1

Input/Output Connectors

DN-O3



V+	V-	H	L	+	-	+	-	S	+	-	S
				Out		Open Input			Closed Input		

DeviceNet

I/O

Note: L refers to CAN_L and H refers to CAN_H

I/O Data Map 1

	Byte	Bit 7	Bit 6	Bit 5	Bit 4	Bit 3	Bit 2	Bit 1	Bit 0
In	0	IGS	-	-	-	0S-1	-	I-1	I-0
Out	0	-	-	-	-	-	-	0-1	-