

TURCK

Network Media Products

DeviceNet™, Power Taps

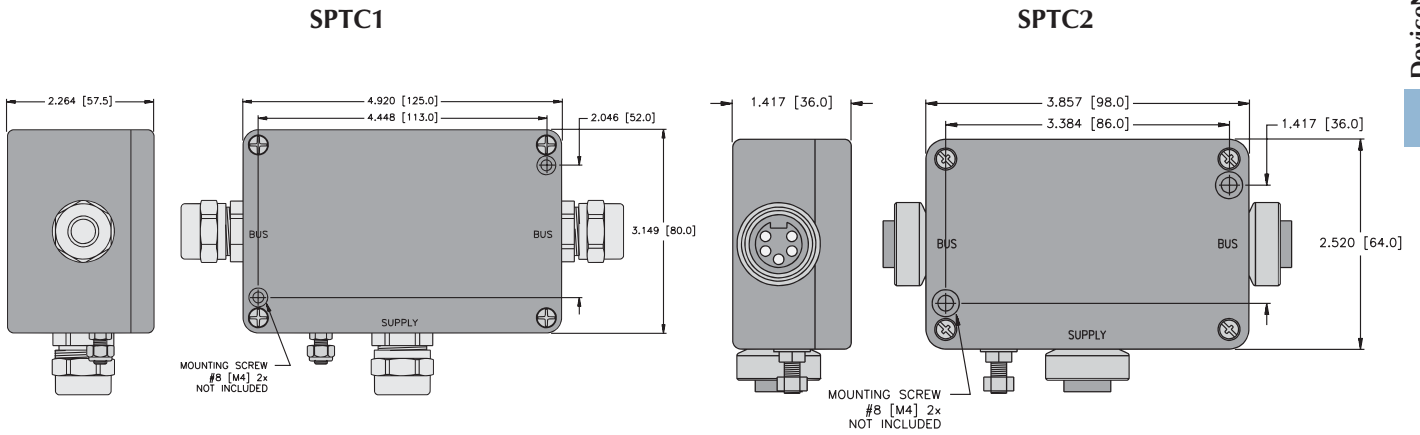
- Allows Connection to Bus Line for Bringing in 12 VDC Power
- Available with *minifast*® Bus Line and Drop Connectors or Terminal Connectors



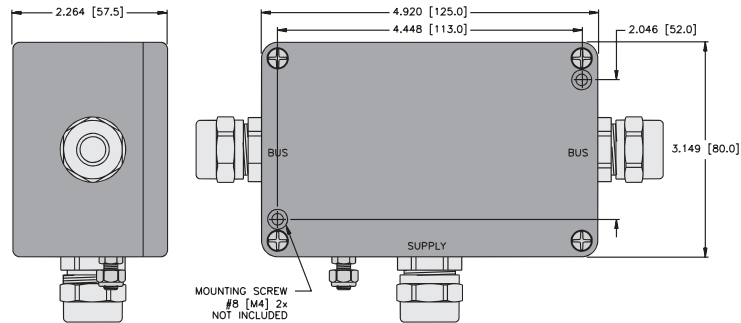
Part Number	Application	Wiring Diagrams
SPTC1	Power Tap with <i>minifast</i> Connectors <ul style="list-style-type: none"> • (7/8-16UN) <i>minifast</i> male to female bus connector • (7/8-16UN) <i>minifast</i> female power connector 	
SPTC2	Power Tap with <i>minifast</i> Connectors <ul style="list-style-type: none"> • (7/8-16UN) <i>minifast</i> female to female bus connector • (7/8-16UN) <i>minifast</i> female power connector 	
SPTT1	Power Tap with Terminal Connectors <ul style="list-style-type: none"> • Terminal strip bus connectors • Terminal strip power connector 	

Specifications

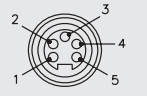
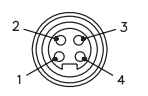
Housing:	Anodized Aluminum
Coupling Nut:	Nickel Plated CuZn or Stainless Steel
Contact Carrier:	PUR (Polyurethane)
Contacts:	Gold Plated CuZn
Protection:	NEMA 1, 3, 4, 6P and IEC IP 68
Rated Voltage:	300 V
Rated Current:	9 A
Ambient Temperature:	-30° to +75°C (-22° to +167°F)



SPTT1



Pinouts

<i>minifast</i> ® - Bus Line		<i>minifast</i> - Auxiliary Power	
Female		Female	
	<ol style="list-style-type: none"> 1. Bare (Shield) 2. Red (+ Voltage) 3. Black (- Voltage) 4. White (CAN_H) 5. Blue (CAN_L) 		<ol style="list-style-type: none"> 1. + Voltage 2. - Voltage 3. + Voltage 4. - Voltage