



Electronic Soft Starters- SIRIUS 3RW30

For soft machine start-up and reduced mechanical stress



They protect the machine's mechanical power-transmitting elements during start-up through reduction of the starting torque and efficiently guard the network against excessive inrush peaks through reduced power input: the electronic soft starters 3RW30. Switchover current or torque peaks typical of star-delta starters are reliably excluded.

Advantages at a glance:

- Optimum adjustment to the drive application through separate potentiometers for starting voltage (40...100%) and start-up time up to 20 sec.
- Minimum power loss through integrated bypass contacts after start-up completion
- Up to 70% space savings in the control cabinet compared to star-delta combination
- Reduced mounting costs and wiring through simple 4-wire motor supply line

sirius

www.siemens.com/softstarter

SIEMENS

3RW30 soft starters for standard applications





Ambient temperature 40 °C

Rated operating voltage U _e	Rated operating current I _e	Rated power of three-phase motors with rated operating voltage U _e		Size	Width	Order No.
		... kW at 230 V	... kW at 400 V			
V	A					

Soft starters for simple start-up conditions and high switching frequencies

200 ... 400	3	0.55	1.1		22.5 mm	3RW30 03-□CB5 4
-------------	---	------	-----	--	---------	-----------------

Soft starters for three-phase asynchronous motors

200 ... 480	3.6	0.75	1.5	S00	45 mm	3RW30 13-□BB□4
 S00	6.5	1.5	3	S00	45 mm	3RW30 14-□BB□4
	9	2.2	4	S00	45 mm	3RW30 16-□BB□4
	12.5	3	5.5	S00	45 mm	3RW30 17-□BB□4
	17.6	4	7.5	S00	45 mm	3RW30 18-□BB□4
 S0	25	5.5	11	S0	45 mm	3RW30 26-□BB□4
	32	7.5	15	S0	45 mm	3RW30 27-□BB□4
 S2	38	11	18.5	S0	45 mm	3RW30 28-□BB□4
	45	11	22	S2	55 mm	3RW30 36-□BB□4
	63	18.5	30	S2	55 mm	3RW30 37-□BB□4
 S3	72	22	37	S2	55 mm	3RW30 38-□BB□4
	80	22	45	S3	70 mm	3RW30 46-□BB□4
	106	30	55	S3	70 mm	3RW30 47-□BB□4

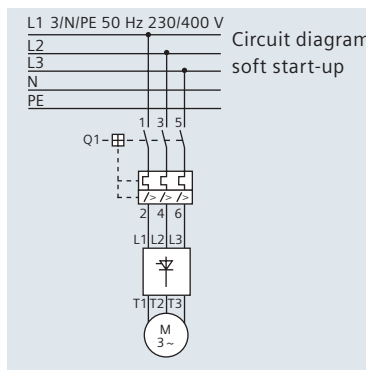
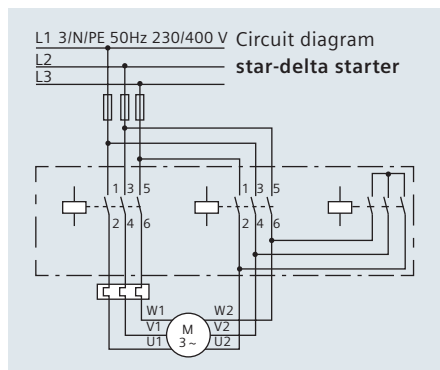
□ = Order No. supplement for connection type:

with screw-type terminals 1
 with spring-loaded terminals * 2

□ = Order No. supplement for rated control supply voltage U_s:

AC/DC 24 V 0
 AC/DC 110 ... 230 V 1

*Control connections consistently in spring-loaded technology, main connections only with devices up to S0



Typical application areas:

- Ventilators, fans, blowers
- Hydraulic pumps
- Vacuum pumps
- Piston and screw compressors
- Machines with belt drive

For optimum soft start-up and **ramp-down** as well as integrated motor overload and intrinsic device protection, settable current limiting and integrated remote reset, we recommend our **SIRIUS 3RW40** electronic soft starter.

Siemens AG
 Industry Sector Automation
 Partner of the electrical trade
 P.O. Box 48 48
 90327 NUREMBERG
 GERMANY

Subject to changes without prior notice 01/08
 Order No.: E20001-A870-M102-X-7600
 Dispo 18101
 10805938 EGCD.52.8.02 SB 01085.0
 Printed in Germany
 © Siemens AG 2008

www.siemens.com/softstarter

The information contained in this brochure merely contain general descriptions or performance characteristics, which may not always be applicable in the described form to the specific application case or may change due to product advancement. The desired performance characteristics shall only be binding if they are expressly specified upon contract conclusion.

All product designations may be brands or product names of Siemens AG or other sub-suppliers, whose utilization by third parties for their rights may violate the rights of the owner.