

## NAMUR Circuits Selection Guide



| M12 <i>eurofast</i> ® Thread | Drop Cordsets | 2-Branch Molded Junctions | Junction Boxes |
|------------------------------|---------------|---------------------------|----------------|
| Pages                        | D179 - D182   | D183 - D186               | D187 - D190    |



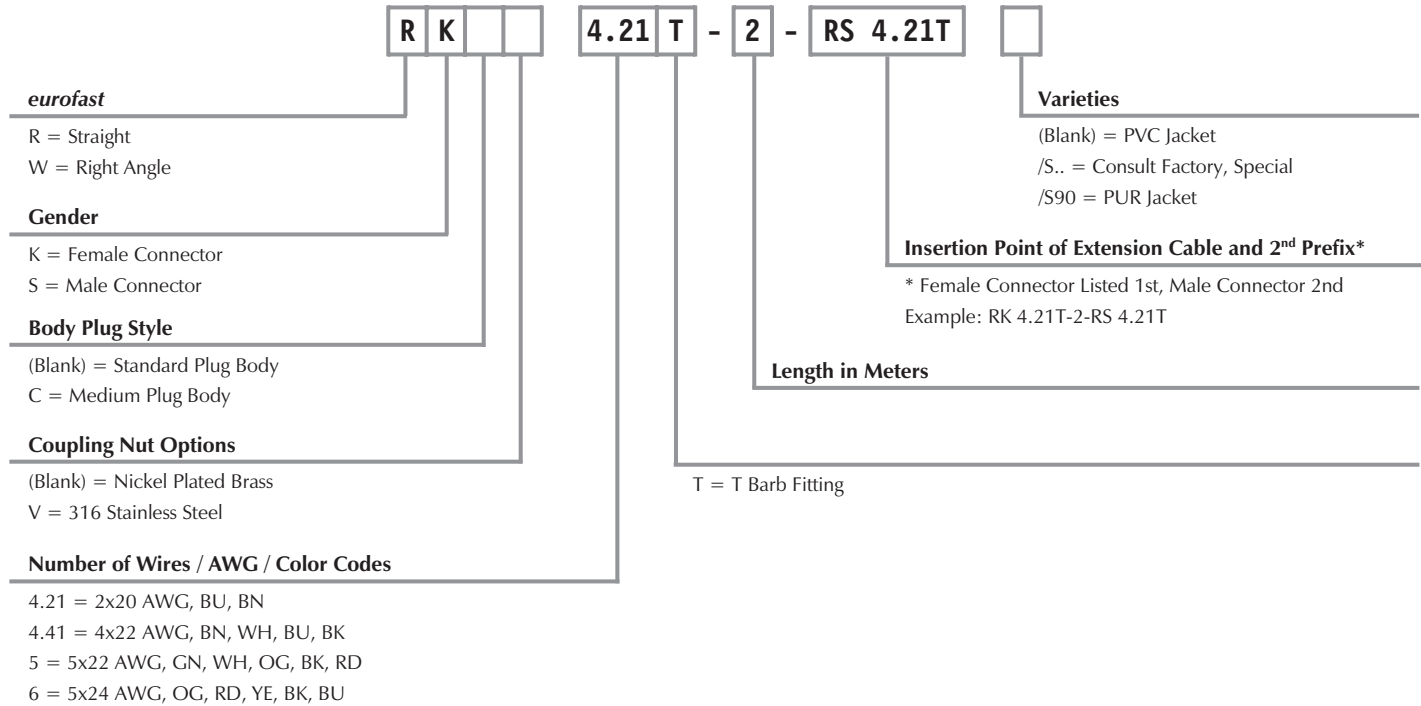
| M23 <i>multifast</i> ® Thread | Cordsets    |
|-------------------------------|-------------|
| Pages                         | D191 - D193 |

# TURCK

## Process Wiring Products

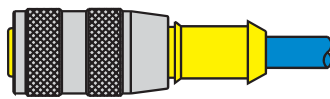
### euofast® NAMUR Cordset Part Number Key, Class I, Division 1 Hazardous Locations

Part Number Keys are to assist in IDENTIFICATION ONLY. Consult factory for catalog items not identified.



Single Ended Example:

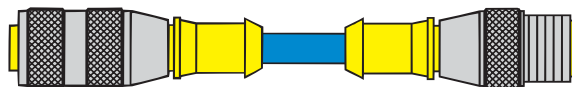
R K 4.21 T - 2



RK ..

Extension Example:

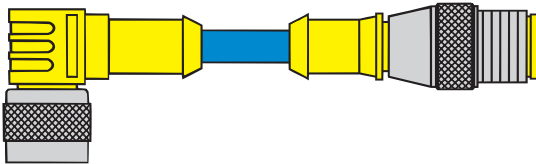
R K 4.21 T - 2 - RS 4.21 T



RK .. - RS ..

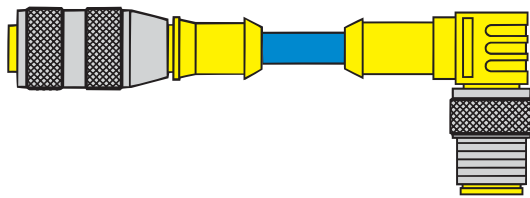
euromast® NAMUR Cordset Extensions

Other Extension Examples:



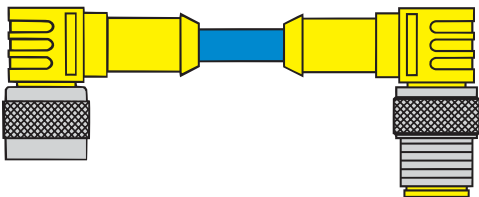
WK .. - RS ..

W K 4.21 T - 2 - RS 4.21 T



RK .. - WS ..

R K 4.21 T - 2 - WS 4.21 T



WK .. - WS ..

W K 4.21 T - 2 - WS 4.21 T

# TURCK

## Process Wiring Products

### 2, 4, 5 and 6-Wire *euromast*® Drop Cordsets, NAMUR

- Straight Female Connectors
- For Use With NAMUR Sensors
- NEMA 1, 3, 4, 6P and IEC IP 68 Protection



| Housing Style        | Part Number          | Cable  | Features   | Pinout  |
|----------------------|----------------------|--|--|---|
| <p><b>RK ..</b></p>  | RK 4.21T-*           | AWM PVC NAMUR Blue<br>2x20 AWG<br>105°C<br>5.2 mm OD<br>Cable #RF20003- <sup>†</sup> M <sup>†</sup>                                  | <i>flexlife</i> ®  | 1. BN<br>2. BU<br>3. N/C<br>4. N/C                    |
|                      | RK 4.21T-*/S90       | AWM PUR NAMUR Blue<br>2x20 AWG<br>105°C<br>5.2 mm OD<br>Cable #RF50657- <sup>†</sup> M <sup>†</sup>                                  | <i>Cut/Abrasion Immune</i>   |   |
|                      | RK 4.41T-*           | AWM PVC NAMUR Blue<br>4x22 AWG<br>105°C<br>5.2 mm OD<br>Cable #RF50598- <sup>†</sup> M <sup>†</sup>                                  | <i>flexlife</i>  | 1. BN<br>2. WH<br>3. BU<br>4. BK                      |
| <p><b>RKC ..</b></p> | RKCN 5T-*            | PLTC PVC NAMUR Blue<br>5x22 AWG<br>105°C<br>6.8 mm OD<br>Cable #RF50767- <sup>†</sup> M <sup>†</sup>                                 | <i>flexlife</i> , 22 AWG, Over 2 million cycles, for VBN 40-H1141 multibox | 1. GN<br>2. WH<br>3. OG<br>4. BK<br>5. RD             |
|                      | RKC 6T-*/S90/CS10476 | AWM PUR NAMUR Blue<br>5x24 AWG Foil/Drain<br>105°C<br>60 VAC/75 VDC, 2 A<br>5.7 mm OD<br>Cable #RF50928- <sup>†</sup> M <sup>†</sup> | <i>Cut/Abrasion Immune</i>   | 1. OR<br>2. RD<br>3. YE<br>4. BK<br>5. BU<br>6. Drain |

\* Length in meters. Standard cable lengths are 2, 4, 5, 6, 8 and 10 meters. Consult factory for other lengths. Standard coupling nut material is nickel plated brass "RK©"; "RK(C)V.." indicates 316 stainless steel.

<sup>†</sup> See pages K236 - K244 for *reelfast*® cable information.

2, 4, 5 and 6-Wire *euromast*® Drop Cordsets, NAMUR

- Straight Male Connectors
- For Use With NAMUR Sensors
- NEMA 1, 3, 4, 6P and IEC IP 68 Protection



| Housing Style        | Part Number          | Cable  | Features   | Pinout  |
|----------------------|----------------------|--|--|---|
| <p><b>RS ..</b></p>  | RS 4.21T-*           | AWM PVC NAMUR Blue<br>2x20 AWG<br>105°C<br>5.2 mm OD<br>Cable #RF20003- <sup>†</sup> M <sup>†</sup>                                  | <i>flexlife</i> ®  | 1. BN<br>2. BU<br>3. N/C<br>4. N/C                    |
|                      | RS 4.21T-*/S90       | AWM PUR NAMUR Blue<br>2x20 AWG<br>105°C<br>5.2 mm OD<br>Cable #RF50657- <sup>†</sup> M <sup>†</sup>                                  | <i>Cut/Abrasion Immune</i>   |   |
|                      | RS 4.41T-*           | AWM PVC NAMUR Blue<br>4x22 AWG<br>105°C<br>5.2 mm OD<br>Cable #RF50598- <sup>†</sup> M <sup>†</sup>                                  | <i>flexlife</i>  | 1. BN<br>2. WH<br>3. BU<br>4. BK                      |
| <p><b>RSC ..</b></p> | RSCN 5T-*            | PLTC PVC NAMUR Blue<br>5x22 AWG<br>105°C<br>6.8 mm OD<br>Cable #RF50767- <sup>†</sup> M <sup>†</sup>                                 | <i>flexlife</i> , 22 AWG, Over 2 million cycles, for VBN 40-H1141 multibox | 1. GN<br>2. WH<br>3. OG<br>4. BK<br>5. RD             |
|                      | RSC 6T-*/S90/CS10476 | AWM PUR NAMUR Blue<br>5x24 AWG Foil/Drain<br>105°C<br>60 VAC/75 VDC, 2 A<br>5.7 mm OD<br>Cable #RF50928- <sup>†</sup> M <sup>†</sup> | <i>Cut/Abrasion Immune</i>   | 1. OG<br>2. RD<br>3. YE<br>4. BK<br>5. BU<br>6. Drain |

\* Length in meters. Standard cable lengths are 2, 4, 5, 6, 8 and 10 meters. Consult factory for other lengths. Standard coupling nut material is nickel plated brass "RS©"; "RS(C)V.." indicates 316 stainless steel.

<sup>†</sup> See pages K236 - K244 for *reelfast*® cable information.

# TURCK

## Process Wiring Products

### 2, 4, 5 and 6-Wire *euromast*® Drop Cordsets, NAMUR

- Right Angle Female Connectors
- For Use With NAMUR Sensors
- NEMA 1, 3, 4, 6P and IEC IP 68 Protection



| Housing Style        | Part Number          | Cable   | Features   | Pinout  |  |
|----------------------|----------------------|---|--|---|--|
| <p><b>WK ..</b></p>  | WK 4.21T-*           | AWM PVC NAMUR Blue<br>2x20 AWG<br>105°C<br>5.2 mm OD<br>Cable #RF20003-*M†                                  | <i>flexlife</i> ®  | 1. BN<br>2. BU<br>3. N/C<br>4. N/C                    |  |
|                      | WK 4.21T-*/S90       | AWM PUR NAMUR Blue<br>2x20 AWG<br>105°C<br>5.2 mm OD<br>Cable #RF50657-*M†                                  | <i>Cut/Abrasion Immune</i>   |   |  |
|                      | WK 4.41T-*           | AWM PVC NAMUR Blue<br>4x22 AWG<br>105°C<br>5.2 mm OD<br>Cable #RF50598-*M†                                  | <i>flexlife</i>  | 1. BN<br>2. WH<br>3. BU<br>4. BK                      |  |
| <p><b>WKC ..</b></p> | WKN 5T-*             | PLTC PVC NAMUR Blue<br>5x22 AWG<br>105°C<br>6.8 mm OD<br>Cable #RF50767-*M†                                 | <i>flexlife</i> , 22 AWG, Over 2 million cycles, for VBN 40-H1141 multibox | 1. GN<br>2. WH<br>3. OG<br>4. BK<br>5. RD             |  |
|                      | WKC 6T-*/S90/CS10476 | AWM PUR NAMUR Blue<br>5x24 AWG Foil/Drain<br>105°C<br>60 VAC/75 VDC, 2 A<br>5.7 mm OD<br>Cable #RF50928-*M† | <i>Cut/Abrasion Immune</i>   | 1. OG<br>2. RD<br>3. YE<br>4. BK<br>5. BU<br>6. Drain |  |

\* Length in meters. Standard cable lengths are 2, 4, 5, 6, 8 and 10 meters. Consult factory for other lengths. Standard coupling nut material is nickel plated brass "WK©"; "WK(C)V.." indicates 316 stainless steel.

† See pages K236 - K244 for *reelfast*® cable information.

2, 4, 5 and 6-Wire *euofast*<sup>®</sup> Drop Cordsets, NAMUR

- Right Angle Male Connectors
- For Use With NAMUR Sensors
- NEMA 1, 3, 4, 6P and IEC IP 67 Protection



| Housing Style        | Part Number          | Cable   | Features  | Pinout  |
|----------------------|----------------------|---|---|---|
| <p><b>WS ..</b></p>  | WS 4.21T-*           | AWM PVC NAMUR Blue<br>2x20 AWG<br>105°C<br>5.2 mm OD<br>Cable #RF20003-*M <sup>†</sup>                                  | <i>flexlife</i> <sup>®</sup>  |   |
|                      | WS 4.21T-*/S90       | AWM PUR NAMUR Blue<br>2x20 AWG<br>105°C<br>5.2 mm OD<br>Cable #RF50657-*M <sup>†</sup>                                  | <i>Cut/Abrasion Immune</i>  |   |
|                      | WS 4.41T-*           | AWM PVC NAMUR Blue<br>4x22 AWG<br>105°C<br>5.2 mm OD<br>Cable #RF50598-*M <sup>†</sup>                                  | <i>flexlife</i>   |   |
| <p><b>WSC ..</b></p> | WSCN 5T-*            | PLTC PVC NAMUR Blue<br>5x22 AWG<br>105°C<br>6.8 mm OD<br>Cable #RF50767-*M <sup>†</sup>                                 | <i>flexlife, 22 AWG, Over 2 million cycles, for VBN 40-H1141 multibox</i> |   |
|                      | WSC 6T-*/S90/CS10476 | AWM PUR NAMUR Blue<br>5x24 AWG Foil/Drain<br>105°C<br>60 VAC/75 VDC, 2 A<br>5.7 mm OD<br>Cable #RF50928-*M <sup>†</sup> | <i>Cut/Abrasion Immune</i>  |   |
|                      |                      |   |   | 1. OG<br>2. RD<br>3. YE<br>4. BK<br>5. BU<br>6. Drain |

\* Length in meters. Standard cable lengths are 2, 4, 5, 6, 8 and 10 meters. Consult factory for other lengths. Standard coupling nut material is nickel plated brass "WS©"; "WS(C)V.." indicates 316 stainless steel.

<sup>†</sup> See pages K236 - K244 for *reelfast*<sup>®</sup> cable information.

# TURCK

## Process Wiring Products

### euofast® 2 - Branch Molded Junctions, NAMUR Wiring

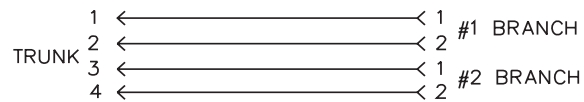
- Combine Two NAMUR Sensors into One Cable
- Tough Polyurethane Construction
- For use with NAMUR Junction Boxes



| Application                            | Specifications  | Wiring | Housing | Part Number                  |
|--|---|--------|---------|------------------------------|
| Combine 2 NAMUR sensors into one cable | 250 V<br>4 A  | NAMUR  |         | VB2-FSM 4.41/2FKM 4.21       |
| Combine 2 NAMUR sensors into one cable | 250 V<br>4 A<br>RS 4.41T = Blue PVC<br>5.2 mm OD, 4/22 AWG                        |        |         | VB2-RS 4.41T-*/2FKM 4.21     |
| Combine 2 NAMUR sensors into one cable | 250 V<br>4 A<br>RK 4.21T = Blue PVC<br>5.2 mm OD, 2/20 AWG                        |        |         | VB2-FSM 4.41/2RK 4.21T-*/*   |
| Combine 2 NAMUR sensors into one cable | 250 V<br>4 A<br>Blue PVC, 5.2 mm OD<br>RK 4.21T - 2/20 AWG<br>RS 4.41T - 4/22 AWG |        |         | VB2-RS 4.41T-*/2RK 4.21T-*/* |

\* Length in meters.

### NAMUR Diagram





- Junction Body:** Oil resistant yellow polyurethane.
- Connector:** Oil resistant polyurethane body material, Nylon or PUR contact carrier, spacings to VDE 0110 Group C.
- Contacts:** Gold plated brass.
- Coupling Nuts:** Nickel plated brass.
- Cable:** See table.
- Temperature:** -40° to +105°C (-40° to +221°F).
- Protection:** NEMA 1,3,4,6P and IEC IP 68.

**Cable Length:** Trunk - nominal 1 meter. Branches - nominal 0.3 meters. Other lengths available by request - consult factory.

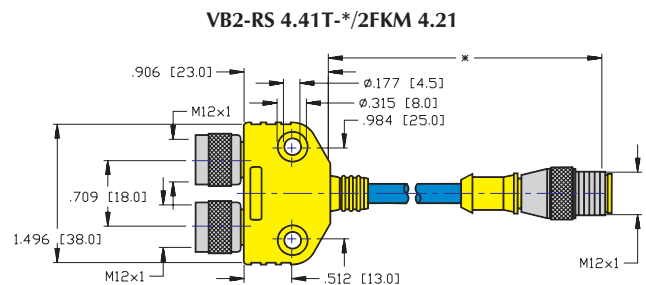
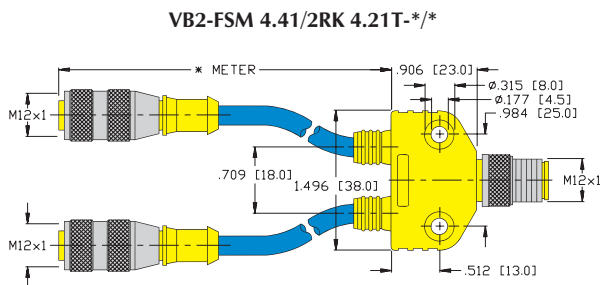
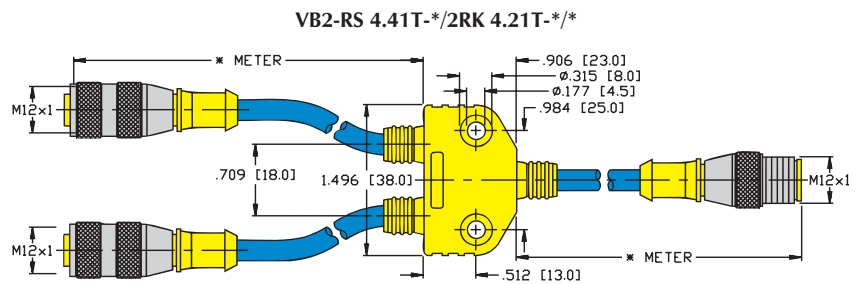
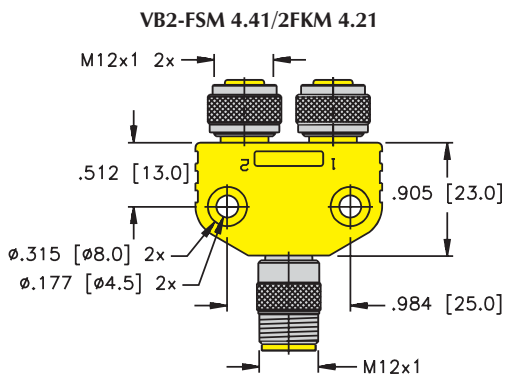
**Connector Options:** (for legs with cable)

Stainless steel coupling nut add "V" to part number (RS to RSV, RK to RKV).

Nylon coupling nut add "K" to part number (RS to RSK, RK to RKK).

Right angle connectors, change part number (RS to WS, RK to WK).

**Notes:** Mounting holes accept #8 screw.



## Pinouts

| Female                 | Male                  |
|------------------------|-----------------------|
|                        |                       |
| <b>4-Pin eurofast®</b> | <b>4-Pin eurofast</b> |

# TURCK

## Process Wiring Products

### euofast® 2 - Branch Molded Junctions, NAMUR Wiring

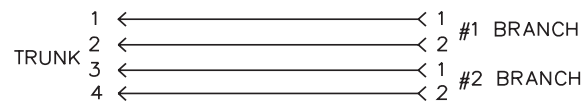
- Combine Two NAMUR Sensors into One Cable
- *euofast* Connection Features Anti-Vibration Coupling Nut (main leg only)



| Application   | Specifications                                    | Wiring | Housing | Part Number             |
|---|---|--------|---------|-------------------------|
| Combine 2 NAMUR sensors into one cable. Connects directly to <i>euofast</i> junction box. | 250 V<br>4 A<br>2/20 AWG<br>Blue PVC<br>5.2 mm OD | NAMUR  |         | VBRS 4.41-2RK 4.21T-*/* |

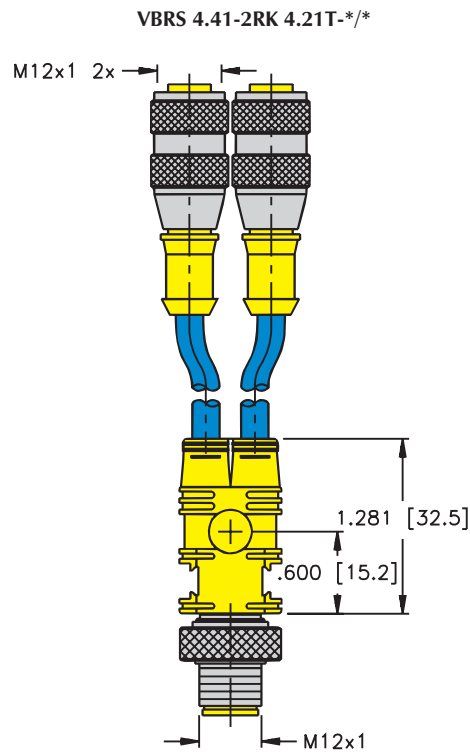
\* Length in meters.  
To add mounting hole; add /S857 to the end of the part number.

### NAMUR Diagram



|                       |   |
|-----------------------|---|
| <b>Connector:</b>     | Oil resistant yellow polyurethane Nylon or PUR contact carrier, spacings to VDE 0110 Group C. |
| <b>Contacts:</b>      | Gold plated brass, machined from solid stock.   |
| <b>Coupling Nuts:</b> | Nickel plated brass.  |
| <b>Cable:</b>         | See table.  |
| <b>Conductors:</b>    | High flex stranding, PVC insulation.  |
| <b>Temperature:</b>   | -40° to +105°C (-40° to +221°F).  |
| <b>Protection:</b>    | NEMA 1, 3, 4, 6P and IEC IP 67.   |
| <b>Accessories:</b>   | KS 5/10 labels included.  |

**Cable Length:** Branches - nominal 0.3 meters. Other lengths available by request - consult factory.



**Pinouts**

| Female                 | Male                  |
|------------------------|-----------------------|
|                        |                       |
| <b>4-Pin eurofast®</b> | <b>4-Pin eurofast</b> |

# TURCK

## Process Wiring Products



### *multibox*® *eurofast*® Junction Boxes, NAMUR, 1 Circuit Per Port

- 4 Port
- Rugged Plastic Housing with Flush Connectors
- Quick Disconnect or Integral Home Run Cable
- For use with NAMUR Sensors

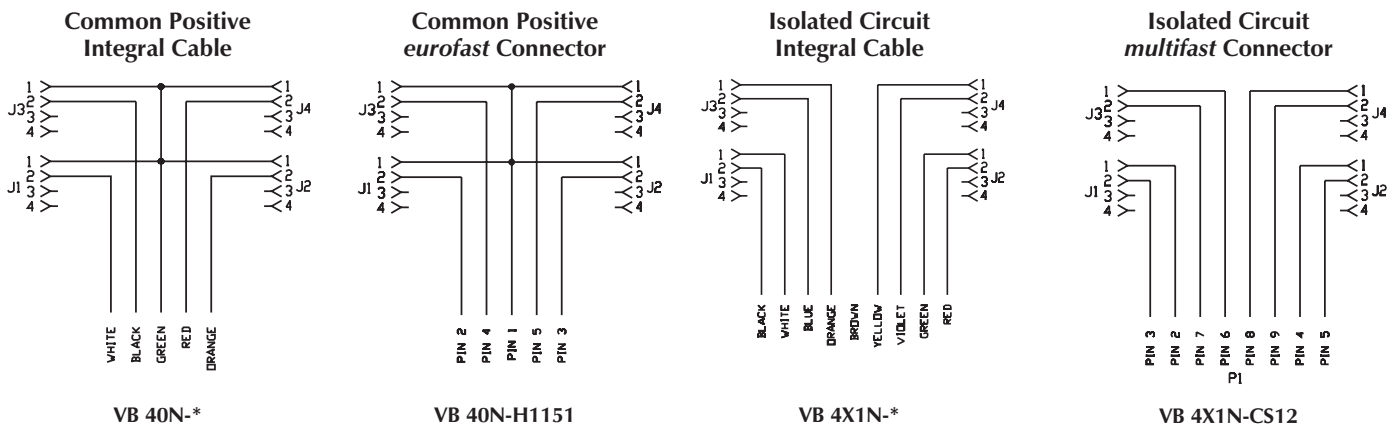
#### 1 Circuit Per Port, Common Positive, 100 VDC

| Application   | Specifications   | Pinout                |                            |   |  | Part Number  |
|---|--|-----------------------|----------------------------|---|--|--------------|
| 4-port J-box<br>1 circuit per port<br>Integral cable            | 4 A/port, 9 A total<br>Blue PVC cable, PLTC<br>5/22 AWG  | <u>Function</u><br>+V | <u>Color</u><br>GN         | <u>Function</u><br>J1/Pin 2<br>J2/Pin 2<br>J3/Pin 2<br>J4/Pin 2 | <u>Color</u><br>WH<br>OG<br>BK<br>RD               | VB 40N-*     |
| 4-port J-box<br>1 circuit per port<br><i>eurofast</i> connector | 4 A/port, 4 A total<br>5-pin <i>eurofast</i> connector<br>5 conductors<br>Mates with RKCN 5T-* | <u>Function</u><br>+V | <u>Pin / Color</u><br>1/GN | <u>Function</u><br>J1/Pin 2<br>J2/Pin 2<br>J3/Pin 2<br>J4/Pin 2 | <u>Pin / Color</u><br>2/WH<br>3/OG<br>4/BK<br>5/RD | VB 40N-H1151 |

#### 1 Circuit Per Port, Isolated Circuits, 100 VDC

| Application  | Specifications  | Pinout  |   |   |  | Part Number  |
|--|---|---|---|---|--|--------------|
| 4-port J-box<br>1 circuit per port<br>Integral cable               | 4 A/port, 9 A total<br>Blue PVC cable, PLTC<br>9/22 AWG   | <u>Function</u><br>J1/Pin 1<br>J1/Pin 2<br>J2/Pin 1<br>J2/Pin 2 | <u>Color</u><br>WH<br>BK<br>GN<br>RD<br>Brown not used                  | <u>Function</u><br>J3/Pin 1<br>J3/Pin 2<br>J4/Pin 1<br>J4/Pin 2 | <u>Color</u><br>OG<br>BU<br>YE<br>VT               | VB 4X1N-*    |
| 4-port J-box<br>1 circuit per port<br><i>multifast</i> ® connector | 4 A/port, 8 A total<br>12-pin <i>multifast</i> connector<br>9 conductors<br>Mates with KKNWM 12-9-* | <u>Function</u><br>J1/Pin 1<br>J1/Pin 2<br>J2/Pin 1<br>J2/Pin 2 | <u>Pin / Color</u><br>2/WH<br>3/BK<br>4/GN<br>5/RD<br>Pin 1/Bn not used | <u>Function</u><br>J3/Pin 1<br>J3/Pin 2<br>J4/Pin 1<br>J4/Pin 2 | <u>Pin / Color</u><br>6/OG<br>7/BU<br>8/YE<br>9/VT | VB 4X1N-CS12 |

### Functional Wiring Diagrams



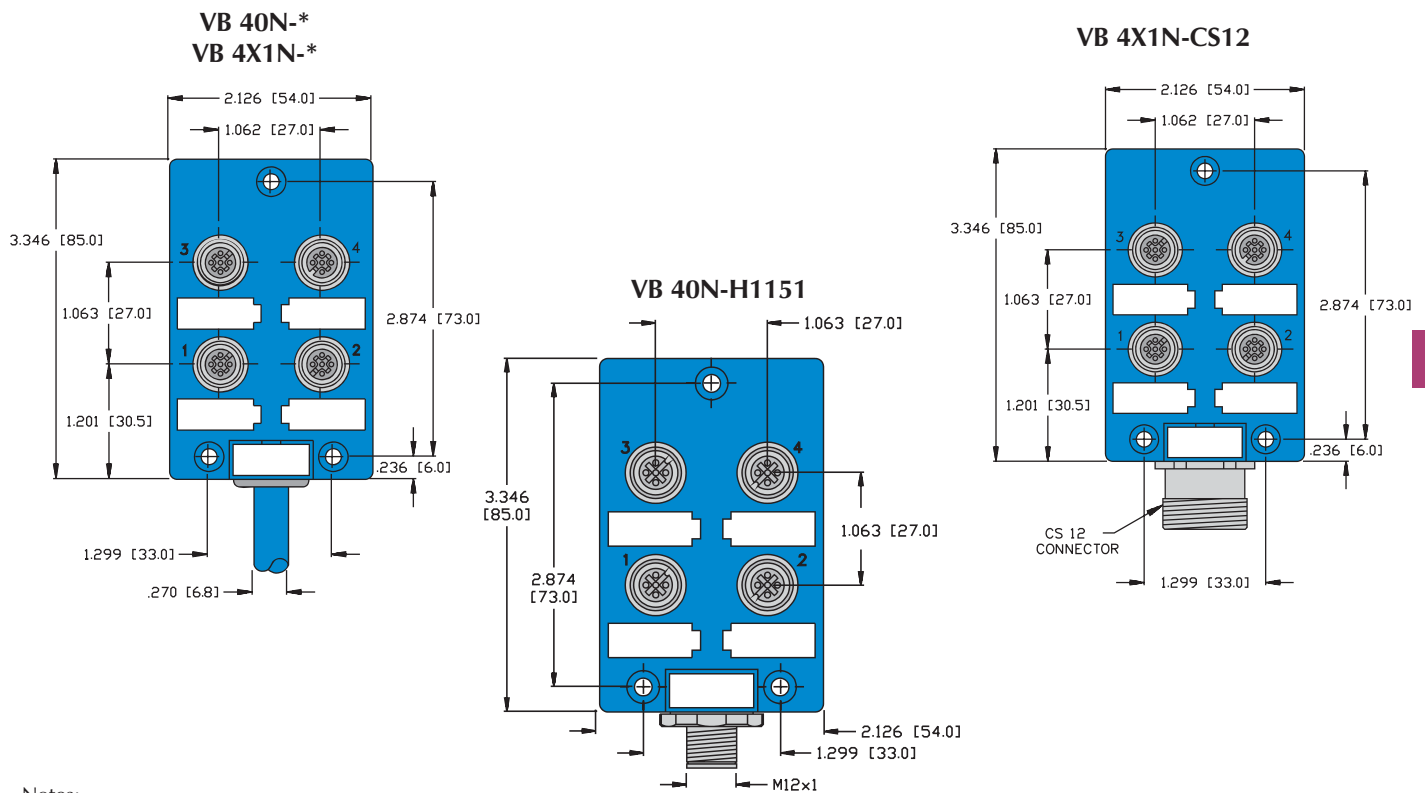
## Specifications

|                        |   |
|------------------------|---|
| <b>Housing:</b>        | Nylon.  |
| <b>Connectors:</b>     | <b>eurofast</b> ®: Nylon or PUR, spacings to VDE 0110 Group C.    |
| <b>Contacts:</b>       | Gold plated brass, machined from solid stock.                     |
| <b>Thread Inserts:</b> | Nickel plated brass.  |
| <b>Cable:</b>          | See table.  |
| <b>Temperature:</b>    | -30° to +80°C (-22° to +176°F).                                   |
| <b>Protection:</b>     | NEMA 1, 3, 4, 6P and IEC IP 67.                                   |
| <b>Accessories:</b>    | (2) VZ 3 closure caps and one VZ 1 label kit (8 labels) included. |

### Cable Length:

Standard length for junction boxes and **multifast**® series quick disconnect cordsets is nominal 5 meters. Other lengths available by request. Consult factory.

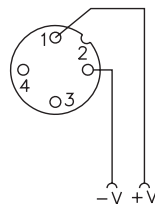
## Dimensions



### Notes:

1. Removable labels included (Part number VZ 1).
2. Clearance hole for #8 screw (3 places).
3. Housings with integral cable: 23.0 mm thickness. Housings with quick disconnect: 33.0 mm thickness.

## Pinout Diagram



# TURCK

## Process Wiring Products



### *multibox*® *euromast*® Junction Boxes, NAMUR, 2 Circuits Per Port

- 4 Ports
- Rugged Plastic Housing with Flush Connectors
- Quick Disconnect or Integral Home Run Cable
- For use with NAMUR Sensors

#### 2 Circuits Per Port, Common Positive, 100 VDC

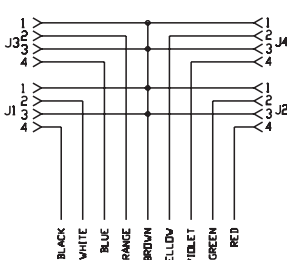
| Application   | Specifications  | Pinout  |  | Part Number   |  |               |
|---|---|---|--|---|--|---------------|
| 4-port J-box<br>2 circuits per port<br>Integral cable               | 4 A/port, 9 A total<br>Blue PVC cable, PLTC<br>9/22 AWG   | <u>Function</u><br>V+<br>J1/Pin 2<br>J1/Pin 4<br>J2/Pin 2<br>J2/Pin 4 | <u>Color</u><br>BN<br>WH<br>BK<br>GN<br>RD                 | <u>Function</u><br>J3/Pin 2<br>J3/Pin 4<br>J4/Pin 2<br>J4/Pin 4 | <u>Color</u><br>OG<br>BU<br>YE<br>VT               | VB 40.5N-*    |
| 4-port J-box<br>2 circuits per port<br><i>multifast</i> ® connector | 4 A/port, 8 A total<br>12-pin <i>multifast</i> connector<br>9 conductors<br>Mates with CKNWM 12-9-* | <u>Function</u><br>V+<br>J1/Pin 2<br>J1/Pin 4<br>J2/Pin 2<br>J2/Pin 4 | <u>Pin / Color</u><br>1/BN<br>2/WH<br>3/BK<br>4/GN<br>5/RD | <u>Function</u><br>J3/Pin 2<br>J3/Pin 4<br>J4/Pin 2<br>J4/Pin 4 | <u>Pin / Color</u><br>6/OG<br>7/BU<br>8/YE<br>9/VT | VB 40.5N-CS12 |

#### 2 Circuits Per Port, Isolated Circuits, 100 VDC

| Application   | Specifications  | Pinout  |  | Part Number   |   |                |
|---|---|---|--|---|---|----------------|
| 4-port J-box<br>2 circuits per port<br>Integral cable             | 4 A/port, 9 A total<br>Blue PVC cable, PLTC<br>16/22 AWG  | <u>Function</u><br>J1/Pin 1<br>J1/Pin 2<br>J1/Pin 3<br>J1/Pin 4<br>J2/Pin 1<br>J2/Pin 2<br>J2/Pin 3<br>J2/Pin 4 | <u>Color</u><br>WH<br>BK<br>GN<br>RD<br>OG<br>BU<br>BN<br>YE                       | <u>Function</u><br>J3/Pin 1<br>J3/Pin 2<br>J3/Pin 3<br>J3/Pin 4<br>J4/Pin 1<br>J4/Pin 2<br>J4/Pin 3<br>J4/Pin 4 | <u>Color</u><br>VT<br>GY<br>PK<br>TN<br>WH/BK<br>WH/GN<br>WH/RD<br>WH/BU                              | VB 4X1.5N-*    |
| 4-port J-box<br>2 circuits per port<br><i>multifast</i> connector | 4 A/port, 8 A total<br>16-pin <i>multifast</i> connector<br>16 conductors<br>Mates with CKNWM 16-16-* | <u>Function</u><br>J1/Pin 1<br>J1/Pin 2<br>J1/Pin 3<br>J1/Pin 4<br>J2/Pin 1<br>J2/Pin 2<br>J2/Pin 3<br>J2/Pin 4 | <u>Pin / Color</u><br>1/WH<br>2/BK<br>3/GN<br>4/RD<br>5/OG<br>6/BU<br>7/BN<br>8/YE | <u>Function</u><br>J3/Pin 1<br>J3/Pin 2<br>J3/Pin 3<br>J3/Pin 4<br>J4/Pin 1<br>J4/Pin 2<br>J4/Pin 3<br>J4/Pin 4 | <u>Pin / Color</u><br>9/VT<br>10/GY<br>11/PK<br>12/TN<br>13/WH/BK<br>14/WH/GN<br>15/WH/RD<br>16/WH/BU | VB 4X1.5N-CS16 |

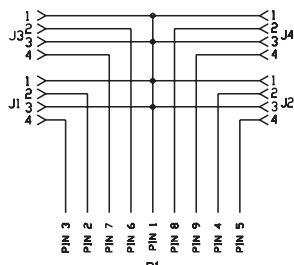
### Functional Wiring Diagrams

Common Positive  
Integral Cable



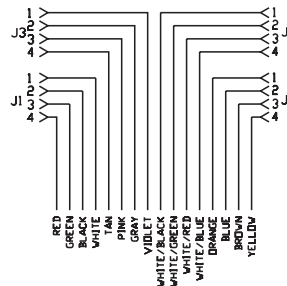
VB 40.5N-\*

Common Positive  
*multifast* Connector



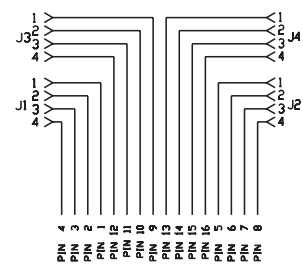
VB 40.5N-CS12

Isolated Circuit  
Integral Cable



VB 4X1.5N-\*

Isolated Circuit  
*multifast* Connector



VB 4X1.5N-CS16

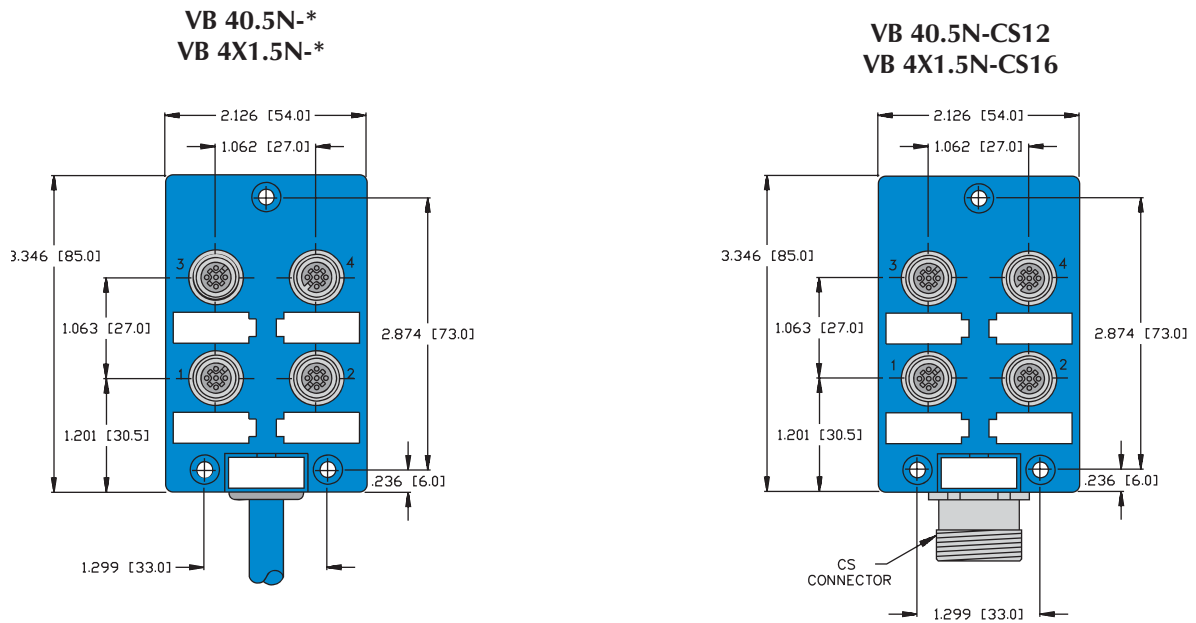
### Specifications

|                        |   |
|------------------------|---|
| <b>Housing:</b>        | Nylon.  |
| <b>Connectors:</b>     | <b>eurofast</b> ®: Nylon or PUR, spacings to VDE 0110 Group C.    |
| <b>Contacts:</b>       | Gold plated brass, machined from solid stock.                     |
| <b>Thread Inserts:</b> | Nickel plated brass.  |
| <b>Cable:</b>          | See table.  |
| <b>Temperature:</b>    | -30° to +80°C (-22° to +176°F).                                   |
| <b>Protection:</b>     | NEMA 1, 3, 4, 6P and IEC IP 67.                                   |
| <b>Accessories:</b>    | (2) VZ 3 closure caps and one VZ 1 label kit (8 labels) included. |

**Cable Length:**

Standard length for junction boxes and **multifast**® series quick disconnect cordsets is nominal 5 meters. Other lengths available by request. Consult factory.

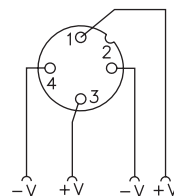
### Dimensions



**Notes:**

1. Removable labels included (Part number VZ 1).
2. Clearance hole for #8 screw (3 places).
3. Housings with integral cable: 23.0 mm thickness. Housings with quick disconnect: 33.0 mm thickness.

### Pinout Diagram



# TURCK

## Process Wiring Products

### 12 and 16-Pin *multifast*® Cordsets-NAMUR

- Straight Male and Female Connectors
- IEC IP 67 Protection
- 300 V, 3 A



| Housing Style        | Part Number  | Cable  | Features   | Pinout  |  |
|----------------------|--------------|--|--|---|--|
| <p>CKNM.. CSNM..</p> | CKNM 12-9-*  | PLTC PVC Blue<br>9x22 AWG<br>105°C<br>6.9 mm OD<br>Cable #RF50741-*M <sup>†</sup>  | <i>For use with<br/>           junction boxes and<br/>           for multi-conductor<br/>           applications</i> | 1. BN      7. BU<br>2. WH      8. YE<br>3. BK      9. VT<br>4. GN      10. N/C<br>5. RD      11. N/C<br>6. OG      12. N/C  |  |
|                      | CSNM 12-9-*  |  |  |   |  |
|                      | CKNM 16-16-* | PLTC PVC Blue<br>16x22 AWG<br>105°C<br>8.3 mm OD<br>Cable #RF50744-*M <sup>†</sup> |  | 1. WH      9. VT<br>2. BK      10. GY<br>3. GN      11. PK<br>4. RD      12. TN<br>5. OG      13. WH/BK<br>6. BU      14. WH/GN<br>7. BN      15. WH/RD<br>8. YE      16. WH/BU |  |
|                      | CSNM 16-16-* |  |  |   |  |

\* Length in meters.  
 Standard cable length is 5 meters. Consult factory for other lengths.  
 Standard coupling nut material is nickel plated brass "CK(S)NM.."; "CK(S)NMV.." indicates 316 stainless steel.  
<sup>†</sup> See pages K236 - K244 for *reelfast*® cable information.

12 and 16-Pin *multifast*® Cordsets-NAMUR

- Right Angle Male and Female Connectors
- IEC IP 67 Protection
- 300 V, 3 A



| Housing Style | Part Number   | Cable  | Features  | Pinout  |  |
|---------------|---------------|--|---|---|--|
|               | CKNWM 12-9-*  | PLTC PVC Blue<br>9x22 AWG<br>105°C<br>6.9 mm OD<br>Cable #RF50741-*M†  | For use with<br>junction boxes and<br>for multi-conductor<br>applications | 1. BN      7. BU<br>2. WH      8. YE<br>3. BK      9. VT<br>4. GN      10. N/C<br>5. RD      11. N/C<br>6. OG      12. N/C  |  |
|               | CSNWM 12-9-*  |  |   |   |  |
|               | CKNWM 16-16-* | PLTC PVC Blue<br>16x22 AWG<br>105°C<br>8.3 mm OD<br>Cable #RF50744-*M† |   | 1. WH      9. VT<br>2. BK      10. GY<br>3. GN      11. PK<br>4. RD      12. TN<br>5. OG      13. WH/BK<br>6. BU      14. WH/GN<br>7. BN      15. WH/RD<br>8. YE      16. WH/BU |  |
|               | CSNWM 16-16-* |  |   |   |  |

\* Length in meters.  
 Standard cable length is 5 meters. Consult factory for other lengths.  
 Standard coupling nut material is nickel plated brass "CK(S)NWM.."; "CK(S)NWMV.." indicates 316 stainless steel.  
 † See pages K236 - K244 for *reelfast*® cable information.

# TURCK

## Process Wiring Products

### 12 and 16-Pin *multifast*® Cordsets-NAMUR

- Straight and Right Angle Male Connectors
- IEC IP 67 Protection
- 300 V, 3 A



| Housing Style          | Part Number  | Cable   | Features   | Pinout   |        |       |        |        |        |        |           |         |           |           |           |           |           |           |       |           |
|------------------------|--|---|--|--|--------|-------|--------|--------|--------|--------|-----------|---------|-----------|-----------|-----------|-----------|-----------|-----------|-------|-----------|
| <p><b>CSSNM..</b></p>  | CSSNM 12-9-*   | PLTC PVC Blue<br>9x22 AWG<br>105°C<br>6.9 mm OD<br>Cable #RF50741- <i>*M</i> †  | <p><i>For use with<br/>junction boxes and<br/>for multi-conductor<br/>applications</i></p> | <table border="0"> <tr> <td>1. BN</td> <td>7. BU</td> </tr> <tr> <td>2. WH</td> <td>8. YE</td> </tr> <tr> <td>3. BK</td> <td>9. VT</td> </tr> <tr> <td>4. GN</td> <td>10. N/C</td> </tr> <tr> <td>5. RD</td> <td>11. N/C</td> </tr> <tr> <td>6. OG</td> <td>12. N/C</td> </tr> </table>  | 1. BN  | 7. BU | 2. WH  | 8. YE  | 3. BK  | 9. VT  | 4. GN     | 10. N/C | 5. RD     | 11. N/C   | 6. OG     | 12. N/C   |           |           |       |           |
|                        | 1. BN  | 7. BU   |  |  |        |       |        |        |        |        |           |         |           |           |           |           |           |           |       |           |
| 2. WH                  | 8. YE  |   |  |  |        |       |        |        |        |        |           |         |           |           |           |           |           |           |       |           |
| 3. BK                  | 9. VT  |   |  |  |        |       |        |        |        |        |           |         |           |           |           |           |           |           |       |           |
| 4. GN                  | 10. N/C  |   |  |  |        |       |        |        |        |        |           |         |           |           |           |           |           |           |       |           |
| 5. RD                  | 11. N/C  |   |  |  |        |       |        |        |        |        |           |         |           |           |           |           |           |           |       |           |
| 6. OG                  | 12. N/C  |   |  |  |        |       |        |        |        |        |           |         |           |           |           |           |           |           |       |           |
| CSSNM 12-9-*           | <table border="0"> <tr> <td>1. WH</td> <td>9. VT</td> </tr> <tr> <td>2. BK</td> <td>10. GY</td> </tr> <tr> <td>3. GN</td> <td>11. PK</td> </tr> <tr> <td>4. RD</td> <td>12. TN</td> </tr> <tr> <td>5. OG</td> <td>13. WH/BK</td> </tr> <tr> <td>6. BU</td> <td>14. WH/GN</td> </tr> <tr> <td>7. BN</td> <td>15. WH/RD</td> </tr> <tr> <td>8. YE</td> <td>16. WH/BU</td> </tr> </table> | 1. WH   | 9. VT  | 2. BK  | 10. GY | 3. GN | 11. PK | 4. RD  | 12. TN | 5. OG  | 13. WH/BK | 6. BU   | 14. WH/GN | 7. BN     | 15. WH/RD | 8. YE     | 16. WH/BU |           |       |           |
| 1. WH                  | 9. VT  |   |  |  |        |       |        |        |        |        |           |         |           |           |           |           |           |           |       |           |
| 2. BK                  | 10. GY   |   |  |  |        |       |        |        |        |        |           |         |           |           |           |           |           |           |       |           |
| 3. GN                  | 11. PK   |   |  |  |        |       |        |        |        |        |           |         |           |           |           |           |           |           |       |           |
| 4. RD                  | 12. TN   |   |  |  |        |       |        |        |        |        |           |         |           |           |           |           |           |           |       |           |
| 5. OG                  | 13. WH/BK  |   |  |  |        |       |        |        |        |        |           |         |           |           |           |           |           |           |       |           |
| 6. BU                  | 14. WH/GN  |   |  |  |        |       |        |        |        |        |           |         |           |           |           |           |           |           |       |           |
| 7. BN                  | 15. WH/RD  |   |  |  |        |       |        |        |        |        |           |         |           |           |           |           |           |           |       |           |
| 8. YE                  | 16. WH/BU  |   |  |  |        |       |        |        |        |        |           |         |           |           |           |           |           |           |       |           |
| <p><b>CSSNWM..</b></p> | CSSNM 16-16-*  | PLTC PVC Blue<br>16x22 AWG<br>105°C<br>8.3 mm OD<br>Cable #RF50744- <i>*M</i> † | <p><i>For use with<br/>junction boxes and<br/>for multi-conductor<br/>applications</i></p> | <table border="0"> <tr> <td>1. WH</td> <td>9. VT</td> </tr> <tr> <td>2. BK</td> <td>10. GY</td> </tr> <tr> <td>3. GN</td> <td>11. PK</td> </tr> <tr> <td>4. RD</td> <td>12. TN</td> </tr> <tr> <td>5. OG</td> <td>13. WH/BK</td> </tr> <tr> <td>6. BU</td> <td>14. WH/GN</td> </tr> <tr> <td>7. BN</td> <td>15. WH/RD</td> </tr> <tr> <td>8. YE</td> <td>16. WH/BU</td> </tr> </table> | 1. WH  | 9. VT | 2. BK  | 10. GY | 3. GN  | 11. PK | 4. RD     | 12. TN  | 5. OG     | 13. WH/BK | 6. BU     | 14. WH/GN | 7. BN     | 15. WH/RD | 8. YE | 16. WH/BU |
|                        | 1. WH  | 9. VT   |  |  |        |       |        |        |        |        |           |         |           |           |           |           |           |           |       |           |
| 2. BK                  | 10. GY   |   |  |  |        |       |        |        |        |        |           |         |           |           |           |           |           |           |       |           |
| 3. GN                  | 11. PK   |   |  |  |        |       |        |        |        |        |           |         |           |           |           |           |           |           |       |           |
| 4. RD                  | 12. TN   |   |  |  |        |       |        |        |        |        |           |         |           |           |           |           |           |           |       |           |
| 5. OG                  | 13. WH/BK  |   |  |  |        |       |        |        |        |        |           |         |           |           |           |           |           |           |       |           |
| 6. BU                  | 14. WH/GN  |   |  |  |        |       |        |        |        |        |           |         |           |           |           |           |           |           |       |           |
| 7. BN                  | 15. WH/RD  |   |  |  |        |       |        |        |        |        |           |         |           |           |           |           |           |           |       |           |
| 8. YE                  | 16. WH/BU  |   |  |  |        |       |        |        |        |        |           |         |           |           |           |           |           |           |       |           |
| CSSNWM 16-16-*         | <table border="0"> <tr> <td>1. WH</td> <td>9. VT</td> </tr> <tr> <td>2. BK</td> <td>10. GY</td> </tr> <tr> <td>3. GN</td> <td>11. PK</td> </tr> <tr> <td>4. RD</td> <td>12. TN</td> </tr> <tr> <td>5. OG</td> <td>13. WH/BK</td> </tr> <tr> <td>6. BU</td> <td>14. WH/GN</td> </tr> <tr> <td>7. BN</td> <td>15. WH/RD</td> </tr> <tr> <td>8. YE</td> <td>16. WH/BU</td> </tr> </table> | 1. WH   | 9. VT  | 2. BK  | 10. GY | 3. GN | 11. PK | 4. RD  | 12. TN | 5. OG  | 13. WH/BK | 6. BU   | 14. WH/GN | 7. BN     | 15. WH/RD | 8. YE     | 16. WH/BU |           |       |           |
| 1. WH                  | 9. VT  |   |  |  |        |       |        |        |        |        |           |         |           |           |           |           |           |           |       |           |
| 2. BK                  | 10. GY   |   |  |  |        |       |        |        |        |        |           |         |           |           |           |           |           |           |       |           |
| 3. GN                  | 11. PK   |   |  |  |        |       |        |        |        |        |           |         |           |           |           |           |           |           |       |           |
| 4. RD                  | 12. TN   |   |  |  |        |       |        |        |        |        |           |         |           |           |           |           |           |           |       |           |
| 5. OG                  | 13. WH/BK  |   |  |  |        |       |        |        |        |        |           |         |           |           |           |           |           |           |       |           |
| 6. BU                  | 14. WH/GN  |   |  |  |        |       |        |        |        |        |           |         |           |           |           |           |           |           |       |           |
| 7. BN                  | 15. WH/RD  |   |  |  |        |       |        |        |        |        |           |         |           |           |           |           |           |           |       |           |
| 8. YE                  | 16. WH/BU  |   |  |  |        |       |        |        |        |        |           |         |           |           |           |           |           |           |       |           |

\* Length in meters.

Standard cable length is 5 meters. Consult factory for other lengths.

Standard coupling nut material is nickel plated brass "CSSNM.."; "CSSNMV/CSSNWMV.." indicates 316 stainless steel.

† See pages K236 - K244 for *reelfast*® cable information.