

Specialty Sensor Selection Guide



Valve Sensors

Housing	20 mm	26 mm	35 mm
Sensing Range	4 mm	4 mm	4 mm
Pages	J13 - J15	J9 - J11	J5 - J7



Barrels Sensors

Housing	32 mm	16 mm	18 mm
Sensing Range	12 mm	2.5 mm	5 mm
Pages	J23	J23	J25

Specialty Sensor Selection Guide



Barrels, Ring and Slot Sensors			
Housing	30 mm	Ring	Slot
Sensing Range	10 mm	6 - 100 mm	2 - 30 mm
Pages	J25	J27 - J31	J33 - J35



Embeddable/Nonembeddable Sensors		
Housing	35 mm	CQ40
Sensing Range	20 mm	25 mm
Pages	J21	J21

Specialty

Inductive Sensors

B i 10 U - G T 30 - A DZ 30 X2 **Wiring Options** **Special Option Codes**

Mounting

- B = Embeddable
- N = Nonembeddable
- S = Slot Sensor
- RUC = Ultrasonic Sensor
- W = Position Measuring System

Principle of Operation

- C = Capacitive
- CF = Capacitive (Noise immune)
- I = Inductive
- IM = Inductive Magnet Operated
- R = Reed

Rated Operating Distance (mm)

Sensing Characteristics

- F = Front Sensing on Q26 and Q34 Sensor
- NF = Nonferrous Only
- R = Ring Sensor
- S = Side Sensing on Q26 Sensor
- T = Side Sensing on Q34 Sensor
- U = *Uprox*[®] Sensor

Housing Material Modifier

- E = Stainless Steel

Housing Style

Barrel - Metal

- G = Full Threading, Generally Chrome Plated Brass
- H = Smooth, Chrome Plated Brass or Stainless Steel
- M = Partial Threading, Chrome Plated Brass

Barrel - Plastic

- K = Smooth
- KT = PVDF, Smooth
- P = Full Threading
- PT = PVDF, Full Threading
- S = Partial Threading
- T = Right Angle

Rectangular

- Q = Metal or Plastic, Various Rectangular Styles

Limit Switch

- CA = *stubby*[®], Short Aluminum Housing, Connector
- CK = *stubby*[®], Short Plastic Housing, Connector
- CP = *combiprox*[®], Plastic Housing, Terminal Chamber Base with Removable Sensor

Slot

- K = Slot Sensor, Plastic Housing

Ring

- 32SR = Large Plastic Housing, Static or Dynamic Output
- Q = Small Rectangular Plastic Housing, Static Output
- W = Small Plastic Housing, Dynamic Output

Number of LEDs

Examples:

- Blank = No LEDs
- X2 = 2 LEDs

Voltage Range

AC/DC: (No SCP**)

- 3 = 20-250 VAC, 10-300 VDC
- 31 = 20-250 VAC, 10-300 VDC, Plastic Barrel
- 33 = 35-250 VAC, Grounded Metal Barrel

AC/DC: (Latched SCP)

- 30 = 20-250 VAC, 10-300 VDC
- 32 = 20-250 VAC, 10-300 VDC
- 40 = 20-140 VAC/DC, High Off-State Current

DC:

- 4 = 10-65 VDC, Polarity Protected, Pulsed SCP**
- 6 = 10-30 VDC, Polarity Protected, Pulsed SCP
- 7 = 10-30 VDC, TTL Compatible
- 8 = 20-30 VDC, Polarity Protected, Pulsed SCP
- 41 = 10-65 VDC, Polarity Protected, Pulsed SCP
- 61 = 10-30 VDC, Polarity Protected, Pulsed SCP
- LI = 20-30 VDC
- LIU = 15-30 VDC
- LU = 18-30 VDC

**SCP = Short-Circuit and Overload Protection

Output

- D = 2-Wire DC (Transistor Output)
- DZ = 2-Wire AC/DC, (Power MOSFET Output)
- LF = Frequency Output
- G = 2-Wire DC, Low Voltage Drop
- LI(LU) = Linear Analog Output Current (LI) or Voltage (LU)
- LIU = Linear Analog Output (Current and Voltage)
- N = NPN Transistor (Current Sinking)
- P = PNP Transistor (Current Sourcing)
- R = Relay Output
- SIU = Analog Output (non-linear)
- Z = 2-Wire AC or 2-Wire AC/DC

Output Function

- A = Normally Open (N.O.)
- DA = Dynamic Output (Ring Sensor), Normally Open
- F = Connection Programmable (N.O. or N.C.)
- R = Normally Closed (N.C.)
- U = Jumper Programmable (N.O. or N.C.)
- V = Complementary Outputs: One N.O., One N.C.
- Y0 = NAMUR Output, Requires Switching Amplifier
- Y1 = NAMUR Output, Requires Switching Amplifier

Secondary Barrel Modifier

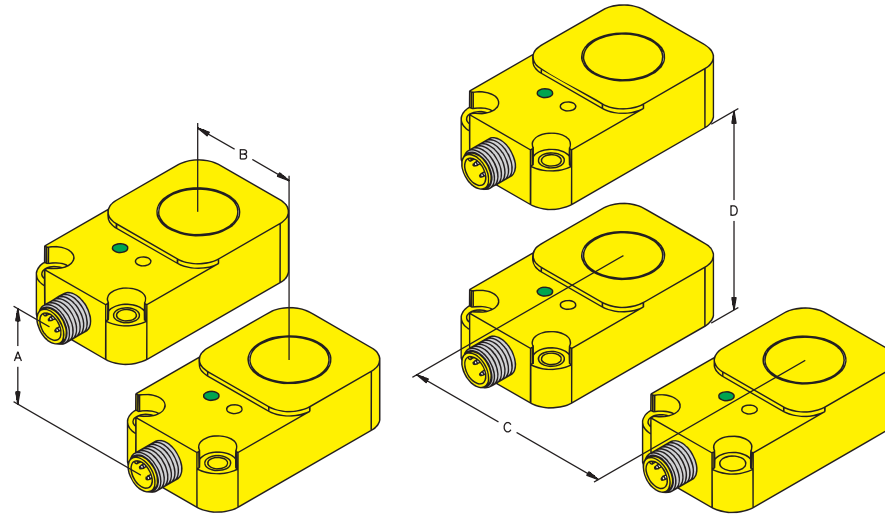
- E = Extended Barrel Length
- H = weldguard[®]/Stoneface
- K = Short Barrel Length
- LD = Load Dump
- M = Medium Barrel Length
- SK = Right-Angle Terminal Chamber
- SR = Straight Terminal Chamber
- T = Barb Fitting at Cable Entry
- WD = Washdown IP 67/IP 68/IP 69K
- S = Side Sensing

Housing Diameter/Height (mm) or CRS Probe Length (mm = Number/10)

Primary Barrel Modifier

- T = Teflon[®] Coated

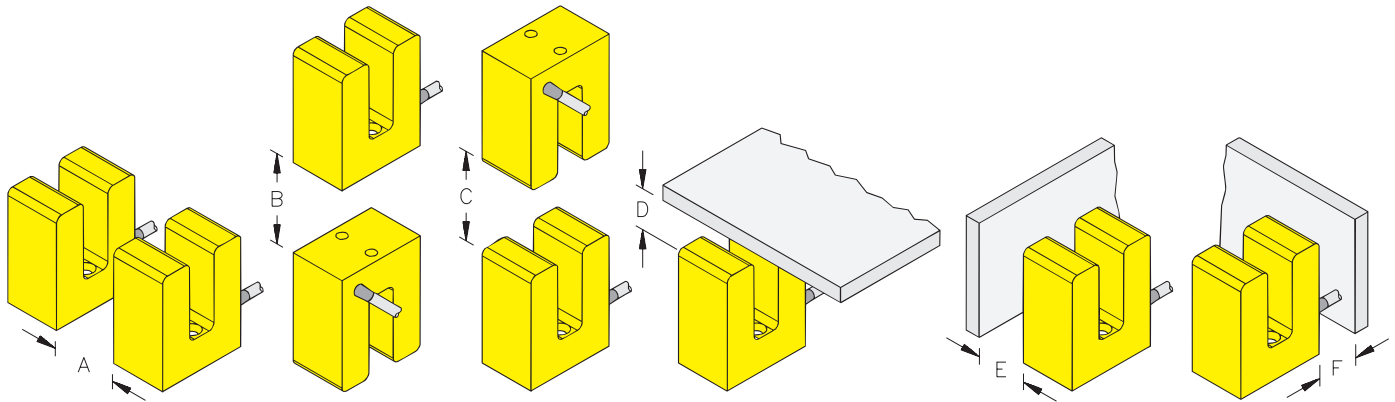
Embeddable Mounting Characteristics



Ring Sensors Minimum Distances

Sensor Type	A	B	C	D
Q14...	30.00	14.00	45.00	30.00
Q20	40.00	20.00	55.00	40.00
W30...	N/A	N/A	120.00	120.00

Dimensions are in mm.



Slot Sensors Minimum Distances

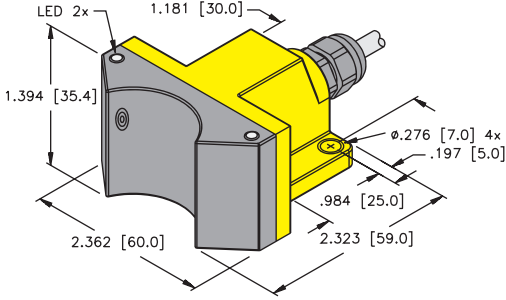
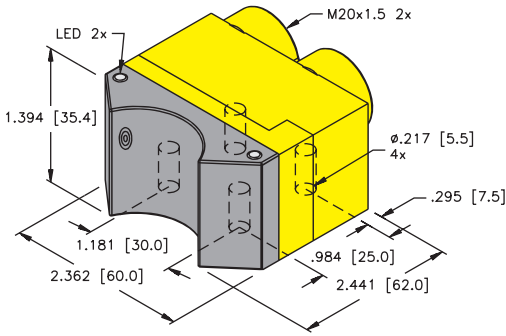
Sensor Type	A	B	C	D	E	F
Si 2	15.00	5.00	15.00	0	0	0
Si 3.5	15.00	5.00	15.00	0	0	0
Si 5	10.00	0	5.00	0	0	0
Si15	30.00	10.00	30.00	5.00	5.00	5.00
Si30	30.00	0	30.00	10.00	10.00	10.00

Dimensions are in mm.

Specialty

Inductive Sensors



Housing Style	Part Number	ID Number	Features	Sensing Range (mm)	Output
35 mm - Nonembeddable, Dual Valve Sensor, Potted-In Cable 	Ni 4-DSU35-2AN4X2	M1569921		4	Dual 2-Wire DC NPN
	Ni 4-DSU35-2AP4X2	M1569900		4	Dual 2-Wire DC PNP
	Ni 4-DSU35-2Y0X2	M1051002		4	Dual 2-Wire DC
	Ni 4-DSU35-2ADZ30X2	M4290000		4	Dual 2-Wire AC/DC
35 mm - Nonembeddable, Dual Valve Sensor, Potted-In Cable 	Ni 4-DSU35TC-2AP4X2	M1569902		4	Dual 2-Wire DC PNP
	Ni 4-DSU35TC-2Y0X2	M1051004		4	Dual 2-Wire DC NAMUR
	Ni 4-DSU35TC-2ADZ30X2	M4290002		4	Dual 2-Wire AC/DC

For detailed sensor specifications see Section M.
Normally Closed versions available upon request, consult factory.

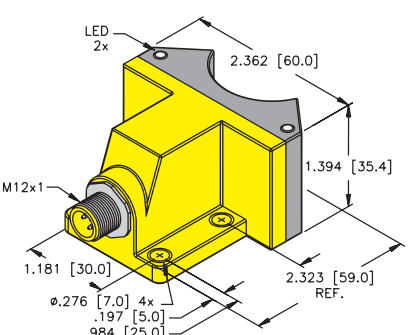
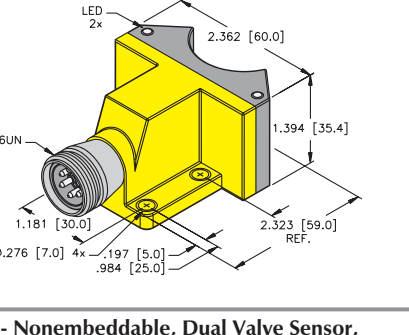
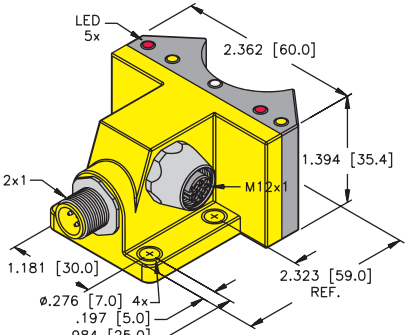


Voltage	Switching Freq. (Hz)	Operating Current (mA) VAC/VDC	Operating Temp. (°C)	Protection	Housing	Face	End Cap	Power LED	Output LED	Mating Cord, Cable Length/Jacket	Wiring Diagram #	Wiring Diagrams
10-65 VDC	50	≤200	-25 to +70	IP 67	PP	PP	N/A	N/A	YE/RD	2M/PVC	1	Diagram 1
10-65 VDC	50	≤200	-25 to +70	IP 67	PP	PP	N/A	N/A	YE/RD	2M/PVC	2	Diagram 2
5-30 VDC	50	Remote	-25 to +70	IP 67	PP	PP	N/A	N/A	YE/RD	2M/PVC	6	Diagram 3
20-250 VAC 10-300 VDC	30	≤400/300	-25 to +70	IP 67	PP	PP	N/A	N/A	YE/RD	2M/PVC	4	Diagram 4
10-65 VDC	50	≤200	-25 to +70	IP 67	PP	PP	N/A	N/A	YE/RD	2M/PVC	2	Diagram 5
5-30 VDC	50	Remote	-25 to +70	IP 67	PP	PP	N/A	N/A	YE/RD	2M/PVC	3	Diagram 6
20-250 VAC 10-300 VDC	30	≤400/300	-25 to +70	IP 67	PP	PP	N/A	N/A	YE/RD	2M/PVC	5	Diagram 7
												Diagram 8

For material descriptions see page M22.

Inductive Sensors



Housing Style	Part Number	ID Number	Features	Sensing Range (mm)	Output
35 mm - Nonembeddable, Dual Valve Sensor, eurofast® Connector 	Ni 4-DSU35-2AN4X2-H1141	M1569920		4	Dual 2-Wire DC NPN
	Ni 4-DSU35-2AP4X2-H1141	M1569901		4	Dual 2-Wire DC PNP
	Ni 4-DSU35-2Y0X2-H1140	M1051003		4	Dual 2-Wire DC NAMUR
35 mm - Nonembeddable, Dual Valve Sensor, minifast® Connector 	Ni 4-DSU35-2ADZ30X2-B1151	M4290001		4	Dual 2-Wire AC/DC
35 mm - Nonembeddable, Dual Valve Sensor, eurofast Connector 	Ni 4-DSU35-2ASIX4-H1140	M1902000		4	Dual 2-Wire ASI-BUS
	Ni 4-DSU35-2DNETX5-H1150	M1569908		4	5-Wire DeviceNet®

For detailed sensor specifications see Section M.
Normally Closed versions available upon request, consult factory.



Voltage	Switching Freq. (Hz)	Operating Current (mA) VAC/VDC	Operating Temp. (°C)	Protection	Housing	Face	End Cap	Power LED	Output LED	Mating Cord, Cable Length/jacket	Wiring Diagram #	Wiring Diagrams
10-65 VDC	50	≤200	-25 to +70	IP 67	PP	PP	N/A	N/A	YE/RD	RK 4.4T-*	1	<p>Diagram 1</p>
10-65 VDC	50	≤200	-25 to +70	IP 67	PP	PP	N/A	N/A	YE/RD	RK 4.4T-*	2	<p>Diagram 2</p>
5-30 VDC	50	Remote	-25 to +70	IP 67	PP	PP	N/A	N/A	YE/RD	RK 4.41T-*	6	<p>Diagram 3</p>
20-250 VAC 10-300 VDC	30	≤400/300	-25 to +70	IP 67	PP	PP	N/A	N/A	YE/RD	RKM 50-*M	4	<p>Diagram 4</p>
18-33 VDC	30	N/A	-25 to +70	IP 67	PP	PP	N/A	N/A	YE/RD	RK 4.4T-* RKC 254-*M	5	<p>Diagram 5</p>
11-25 VDC	50	N/A	-25 to +70	IP 67	PP	PP	N/A	N/A	YE/RD	RK 4.5T-* RKC 572-*M	6	<p>Diagram 6</p>

For material descriptions see page M22.

Inductive Sensors



Housing Style	Part Number	ID Number	Features	Sensing Range (mm)	Output
26 mm - Nonembeddable, Dual Valve Sensor, eurofast® Connector 	Ni 4-DSC26-2AP6X2-H1141	S1650087		4	Dual 2-Wire DC PNP
26 mm - Nonembeddable, Dual Valve Sensor, eurofast Connector 	Ni 4-DSU26-2AP4X2-H1141	M1569904		4	Dual 2-Wire DC PNP
	Ni 4-DSU26-2Y0X2-H1140	M1051007		4	Dual 2-Wire DC NAMUR
26 mm - Nonembeddable, Dual Valve Sensor, eurofast Connector 	Ni 4-DSU26-2ASIX4-H1140	M1902001		4	Dual 2-Wire DC ASI-BUS

For detailed sensor specifications see Section M.
Normally Closed versions available upon request, consult factory.

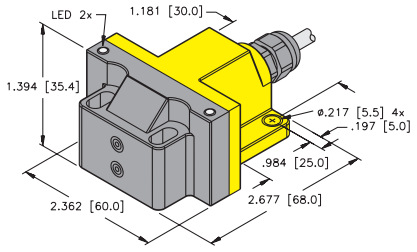
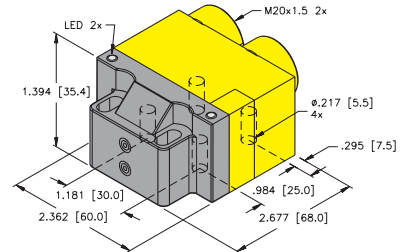


Voltage	Switching Freq. (Hz)	Operating Current (mA) VAC/VDC	Operating Temp. (°C)	Protection	Housing	Face	End Cap	Power LED	Output LED	Mating Cord, Cable Length/Jacket	Wiring Diagram #	Wiring Diagrams
10-30 VDC	50	≤200	-25 to +70	IP 67	PP	PP	N/A	N/A	YE/RD	RK 4.4T-*	1	<p>Diagram 1</p>
10-65 VDC	50	≤200	-25 to +70	IP 67	PP	PP	N/A	N/A	YE/RD	RK 4.4T-*	1	<p>Diagram 2</p>
5-30 VDC	50	Remote	-25 to +70	IP 67	PP	PP	N/A	N/A	YE/RD	RK 4.41T-*	2	<p>Diagram 3</p>
18-33 VDC	30		-25 to +70	IP 67	PP	PP	N/A	N/A	YE/RD	RK 4.4T-* RKC 254-*M	3	

For material descriptions see page M22.

Inductive Sensors



Housing Style	Part Number	ID Number	Features	Sensing Range (mm)	Output
26 mm - Nonembeddable, Dual Valve Sensor, Potted-In Cable 	Ni 4-DSU26-2ADZ30X2	M4290005		4	Dual 2-Wire AC/DC
26 mm - Nonembeddable, Dual Valve Sensor, Potted-In Cable 	Ni 4-DSU26TC-2ADZ30X2	M4290004		4	Dual 2-Wire AC/DC

For detailed sensor specifications see Section M.
Normally Closed versions available upon request, consult factory.



Voltage	Switching Freq. (Hz)	Operating Current (mA) VAC/VDC	Operating Temp. (°C)	Protection	Housing	Face	End Cap	Power LED	Output LED	Mating Cord, Cable Length/Jacket	Wiring Diagram #	Wiring Diagrams
20-250 VAC 10-300 VDC	30	≤400/300	-25 to +70	IP 67	PP	PP	N/A	N/A	YE/RD	2M/PVC	1	<p>Diagram 1</p> <p>Diagram 2</p>
	30	≤400/300	-25 to +70	IP 67	PP	PP	N/A	N/A	YE/RD	- - - -	2	

For material descriptions see page M22.

Inductive Sensors



Housing Style	Part Number	ID Number	Features	Sensing Range (mm)	Output
20 mm - Nonembeddable, Dual Valve Sensor, eurofast® Connection 	Ni 4-DS20-2AP6X2-H1141	M1650020		4	Dual 2-Wire DC PNP
	Ni 4-DS20-2Y1X2-H1140	M1050001		4	Dual 2-Wire DC NAMUR
20 mm - Nonembeddable, Dual Valve Sensor, microfast® Connection 	Ni 4-DS20-2AZ31X2-B3151	M1305000		4	Dual 2-Wire AC/DC
20 mm - Nonembeddable, Dual Valve Sensor, Potted-In Cable 	Ni 4-DS20-2AP6X2	M1650022		4	Dual 2-Wire DC PNP
	Ni 4-DS20-2Y1X2	M1050002		4	Dual 2-Wire DC NAMUR

For detailed sensor specifications see Section M.
 Normally Closed versions available upon request, consult factory.



Voltage	Switching Freq. (Hz)	Operating Current (mA) VAC/VDC	Operating Temp. (°C)	Protection	Housing	Face	End Cap	Power LED	Output LED	Mating Cord, Cable Length/Jacket	Wiring Diagram #	Wiring Diagrams
10-30 VDC	50	≤200	-25 to +70	IP 67	PBT	PBT	N/A	N/A	YE/YE	RK 4.4T-*	1	<p>Diagram 1</p>
5-30 VDC	50	Remote	-25 to +70	IP 67	PBT	PBT	N/A	N/A	RD/RD	RK 4.41T-*	2	<p>Diagram 2</p>
20-250 VAC 10-300 VDC	300	≤400/300	-25 to +70	IP 67	PBT	PBT	N/A	N/A	RD/RD	KB 5T-*	3	<p>Diagram 3</p>
10-30 VDC	50	≤200	-25 to +70	IP 67	PBT	PBT	N/A	N/A	YE/YE	ZM/PVC	4	<p>Diagram 4</p>
5-30 VDC	50	Remote	-25 to +70	IP 67	PBT	PBT	N/A	N/A	RD/RD	ZM/PVC	5	<p>Diagram 5</p>

For material descriptions see page M22.

Inductive Sensors

Housing Style	Part Number	ID Number	Features	Sensing Range (mm)	Output
20 mm - Nonembeddable, Dual Valve Sensor, Straight Field Wireable Connection 	Ni 4-DS20-2AP6X2-H1141/S578	M1650020-3		4	Dual 2-Wire DC PNP
20 mm - Nonembeddable, Dual Valve Sensor, Right Angle Field Wireable Connection 	Ni 4-DS20-2AP6X2-H1141/S579	M1650020-2		4	Dual 2-Wire DC PNP

"/S578" designates H1141 sensor assembled w/TMF 9-14 & straight **euromast** field wireable (B 8141-0).

"/S579" designates H1141 sensor assembled w/TMF 9-14 & right angle **euromast** field wireable (B 8241-0).

For detailed sensor specifications see Section M.
Normally Closed versions available upon request, consult factory.



Voltage	Switching Freq. (Hz)	Operating Current (mA) VAC/VDC	Operating Temp. (°C)	Protection	Housing	Face	End Cap	Power LED	Output LED	Mating Cord, Cable Length/jacket	Wiring Diagram #	Wiring Diagrams
10-30 VDC	50	≤200	-25 to +70	IP 67	PBT	PBT	N/A	N/A	YE/RD	- - - -	1	<div style="border: 1px solid black; padding: 5px;"> <p style="text-align: center; margin: 0;">Diagram 1</p> </div>
10-30 VDC	50	≤200	-25 to +70	IP 67	PBT	PBT	N/A	N/A	YE/RD	- - - -	1	

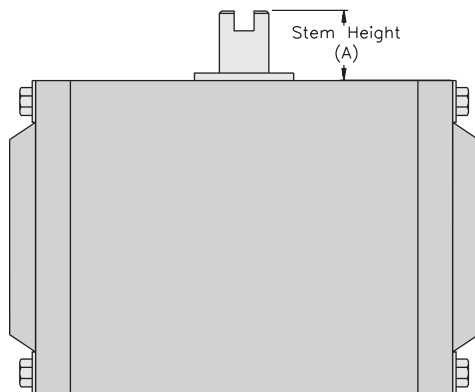
For material descriptions see page M22.

Valve Sensor Puck Selection Guide

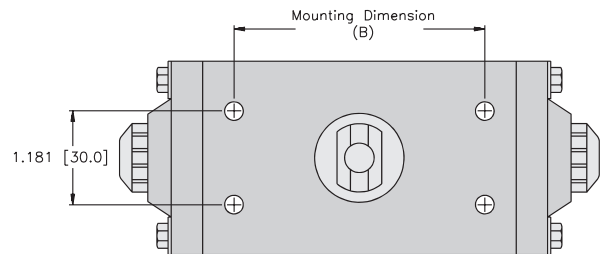
Stem Height (A)		20mm		30mm		50mm	
Mounting Dimension (B)		80mm	130mm	80mm	130mm	80mm	130mm
Part Number	Output Function						
DS20	End Position Indication- On	BTS-DS20-TP1	Consult Factory	BTS-DS20-TK1	BTS-DS20-TK1	N/A	N/A
	Adjustable/End Position- On	BTS-DS20-KEY	BTS-DS20-KEY	Consult Factory	Consult Factory	N/A	N/A
DSC26	End Position Indication- On	BTS-DSC26-EB1	Consult Factory	BTS-DSC26-EB2	BTS-DSC26-EB3	Consult Factory	Consult Factory
DSU35	End Position Indication- On	BTS-DSU35-EB1	BTS-DSU35-EB1	BTS-DSU35-EB1	BTS-DSU35-EB1	BTS-DSU35-EB1 and BTS-DSU35-Z07	BTS-DSU35-EB1 and BTS-DSU35-Z07
	Adjustable/End Position- On	BTS-DSU35-EBE1	BTS-DSU35-EBE1	BTS-DSU35-EBE2	BTS-DSU35-EBE2	BTS-DSU35-EBE1 and BTS-DSU35-Z07	BTS-DSU35-EBE1 and BTS-DSU35-Z07
	End Position Indication- Off	BTS-DSU35-EU1	BTS-DSU35-EU1	BTS-DSU35-EU1	BTS-DSU35-EU1	BTS-DSU35-EU1 and BTS-DSU35-Z07	BTS-DSU35-EU1 and BTS-DSU35-Z07

For stems that exceed 40mm in diameter, consult drawings for appropriate shim package

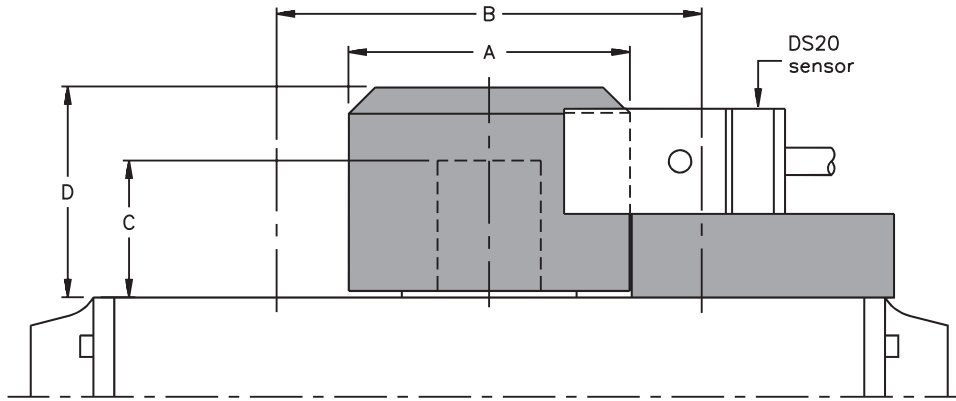
Actuator Side View



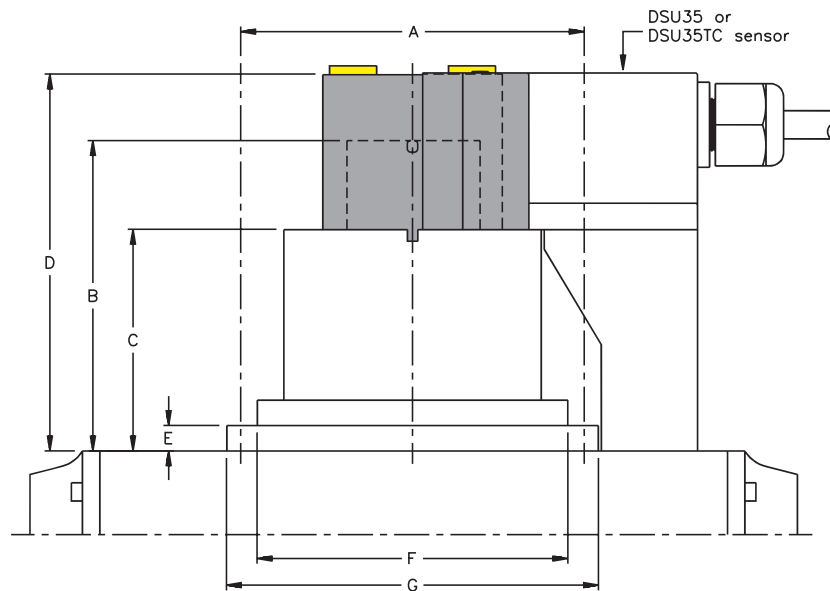
Actuator Top View



Valve Sensor Puck Information



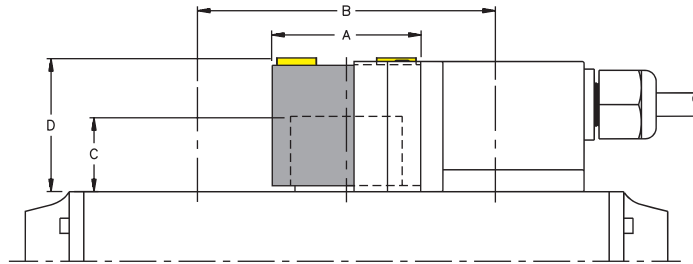
Part Number	Dimensions			
	A	B	C	D
BTS-DS20-KEY	40	80/130	20	37



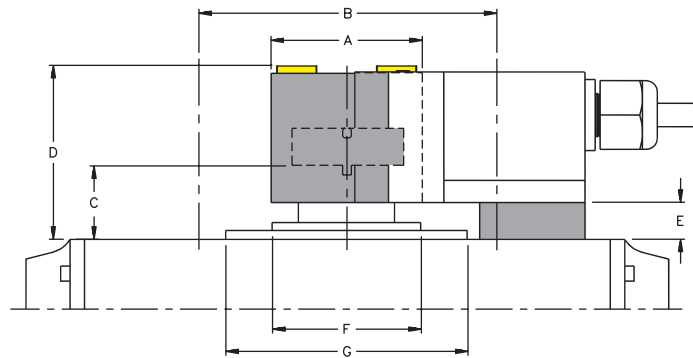
Part Number	Dimensions						
	A	B	C	D	E	F	G
BTS-DSU35-Z03	130	50	30	65	19 (max)	70	110
BTS-DSU35-Z07	130	70	50	85	19 (max)	10	110

Specialty

Valve Sensor Puck Information



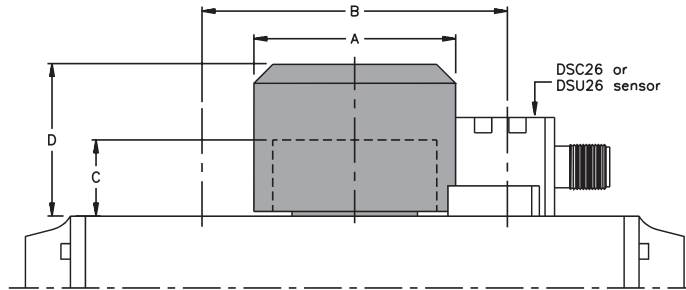
Part Number	Dimensions			
	A	B	C	D
BTS-DSU35-EB1	40	80/130	20/30	36
BTS-DSU35-EU1	40	80/130	20/30	36
BTS-DSU35-EBE1	40	80/130	20	36
BTS-DS20-TP1	40	80	20	36



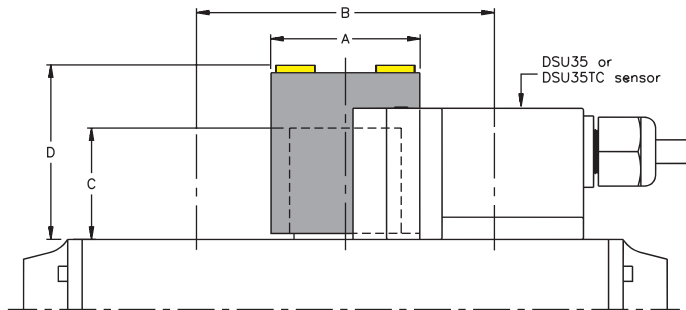
Part Number	Dimensions						
	A	B	C	D	E	F	G
BTS-DSU35-Z01	40	80/130	20	45.00	10	40	65
BTS-DSU35-Z02	40	80/130	20	55.00	20	40	65
BTS-DSU35-Z04	40	80/130	30	45.00	10	40	65
BTS-DSU35-Z05	40	80/130	30	55.00	20	30	65
BTS-DSU35-Z06	40	80/130	30	65.00	30	40	65
BTS-DS20-TK1	40	80/130	30	46	10	50	50

"Z" mounting packages include shims to increase height of sensor and may include similar shim for target puck (depending on package).

Valve Sensor Puck Information



Part Number	Dimensions			
	A	B	C	D
BTS-DSC26-EB1	53	80	20	40
BTS-DSC26-EB2	65	80	30	50
BTS-DSC26-EB3	102	130	30	50



Part Number	Dimensions			
	A	B	C	D
BTS-DSU35-EBE2	40	80/130	30	47

All Dimensions are in mm

Specialty

Inductive Sensors



Housing Style	Part Number	ID Number	Features	Sensing Range (mm)	Output
35 mm -Embeddable 	Bi20-K35/S200 10M	M4614518	High Temp. +200°C Functions only with Signal processor listed below	20	Remote
Rectangular-Signal Processor 	MK96-11VP/24VDC	M7525015	Functions only with Sensor listed above	N/A	4-Wire DC PNP
CQ40 - Nonembeddable 	Ni25-CQ40/S1102 5M	M1602410	High Temp. +250°C Functions only with Signal processor listed below	25	Remote
30 mm - Signal Processor 	EM30-AP6X2-H1141/S1102	M1602411	Functions only with Sensor listed above	N/A	3-Wire DC PNP

For detailed sensor specifications see Section M.
Normally Closed versions available upon request, consult factory.



Voltage	Switching Freq. (Hz)	Operating Current (mA)	Operating Temp. (°C)	Protection	Housing	Face	End Cap	Power LED	Output LED	Mating Cord, Cable Length/Jacket	Wiring Diagram #	Wiring Diagrams
Remote	1000	Remote	-25 to +200	IP 40	PTFE	PTFE	N/A	N/A	N/A	10M/PTFE	2	<p>Diagram 1</p> <p>Diagram 2</p>
	19.2-28.8 VDC	Sensor	≤100	-20 to +60	IP 20	ABS		N/A	GN	YE	N/A	2
Remote	40	Remote	0 to +250	IP 60	AL	PEEK	PEEK	N/A	N/A	30M/AL	1	
	10-30 VDC	40	≤200	-20 to +70	IP 67	SS	SS	N/A	GN	YE	N/A	1

Specialty

For material descriptions see page M22.

Inductive Sensors



Housing Style	Part Number	ID Number	Features	Sensing Range (mm)	Output
16 mm - Embeddable, Vprox, Potted-In Cable 	Bi 2.5-EG16CA-FDZ32X2	T4205100-1	Prog. Outputs Low Temp. -40	2.5	2-Wire AC/DC
16 mm - Embeddable, minifast® Connector 	Bi 2.5-EG16CA-FDZ32X2-B1151	T4205190	Prog. Outputs Low Temp. -40	2.5	2-Wire AC/DC
32 mm - Embeddable 	Bi 12U-EH32H-AP6	M1634900	<i>Uprox</i>	12	3-Wire DC PNP
	Bi 12U-EH32H-ADZ32	M4281120	<i>Uprox</i>	12	2-Wire AC/DC

For detailed sensor specifications see Section M.
Normally Closed versions available upon request, consult factory.



Voltage	Switching Freq. (Hz)	Operating Current (mA)	Operating Temp. (°C)	Protection	Housing	Face	End Cap	Power LED	Output LED	Mating Cord, Cable Length/Jacket	Wiring Diagram #	Wiring Diagrams
20-250 VAC 10-300 VDC	50	≤100	-40 to +70	IP 67	CPB	PA 12	N/A	GN	RD	2M/PVC	1	<p>Diagram 1</p>
20-250 VAC 10-300 VDC	50	≤100	-40 to +70	IP 67	CPB	PA 12	N/A	GN	RD	RK 50-*M	2	<p>Diagram 2</p>
10-65 VDC	2000	≤500	-25 to +70	IP 67	SS	SF	N/A	N/A	N/A	2M/XOR	3	<p>Diagram 3</p>
20-250 VAC 10-300 VDC	1000	≤100	-25 to +70	IP 67	SS	SF	N/A	N/A	N/A	2M/XOR	4	<p>Diagram 4</p>

For material descriptions see page M22.

Inductive Sensors



Housing Style	Part Number	ID Number	Features	Sensing Range (mm)	Output
18 mm - Embeddable Rotational Speed Monitor, Potted-In Cable 	DBi 5U-M18E-AP4X3	M1582236	<i>Uprox</i>	5	3-Wire DC PNP
30 mm - Embeddable Rotational Speed Monitor, Potted-In Cable 	DBi10U-M30-AP4X2	M1582231	<i>Uprox</i>	10	3-Wire DC PNP

For detailed sensor specifications see Section M.
 Normally Closed versions available upon request, consult factory.



Voltage	Switching Freq. (Hz)	Operating Current (mA)	Operating Temp. (°C)	Protection	Housing	Face	End Cap	Power LED	Output LED	Mating Cord, Cable Length/Jacket	Wiring Diagram #	Wiring Diagrams
10-65 VDC	0.05-50	≤200	-30 to +85	IP 67	CPB	PBT	PUR	GN	YE/RD	2M/PVC	1	<p>Diagram 1</p>
10-65 VDC	0.05-50	≤200	-30 to +85	IP 67	CPB	PBT	PA 66	N/A	Ye/RD	2M/PVC	1	

For material descriptions see page M22.

Inductive Sensors



Housing Style	Part Number	ID Number	Minimum Target Diameter	Ring Dia. (mm)	Output
14 mm - Rectangular, Ring Sensor, eurofast® Quick Disconnect 	Bi 6R-Q14-AN6X2-H1141	M1407020	≥ 2 mm	6	3-Wire DC NPN
	Bi10R-Q14-AN6X2-H1141	M1407120	≥ 2 mm	10	
	Bi15R-Q14-AN6X2-H1141	M1407220	≥ 3 mm	15	
	Bi20R-Q14-AN6X2-H1141	M1407320	≥ 4 mm	20	
	Bi 6R-Q14-AP6X2-H1141	M1407000	≥ 2 mm	6	3-Wire DC PNP
	Bi10R-Q14-AP6X2-H1141	M1407100	≥ 2 mm	10	
	Bi15R-Q14-AP6X2-H1141	M1407200	≥ 3 mm	15	
	Bi20R-Q14-AP6X2-H1141	M1407300	≥ 4 mm	20	
14 mm - Rectangular, Ring Sensor, Potted-In Cable 	Bi 6R-Q14-AN6X2	M1406020	≥ 2 mm	6	3-Wire DC NPN
	Bi10R-Q14-AN6X2	M1406120	≥ 2 mm	10	
	Bi15R-Q14-AN6X2	M1406220	≥ 3 mm	15	
	Bi20R-Q14-AN6X2	M1406320	≥ 4 mm	20	
	Bi 6R-Q14-AP6X2	M1406000	≥ 2 mm	6	3-Wire DC PNP
	Bi10R-Q14-AP6X2	M1406100	≥ 2 mm	10	
	Bi15R-Q14-AP6X2	M1406200	≥ 3 mm	15	
	Bi20R-Q14-AP6X2	M1406300	≥ 4 mm	20	
20 mm - Rectangular, Ring Sensor, eurofast Quick Disconnect 	Bi30R-Q20-AN6X2-H1141	M1407520	≥ 6 mm	30	3-Wire DC NPN
	Bi30R-Q20-AP6X2-H1141	M1407500	≥ 6 mm	30	3-Wire DC PNP
30 mm - Rectangular, Ring Sensor, eurofast Quick Disconnect 	Bi 6R-W30-DAN6X-H1141	M1403700	≥ 0.6 mm	6	3-Wire DC NPN
	Bi10R-W30-DAN6X-H1141	M1403900	≥ 1 mm	10	
	Bi15R-W30-DAN6X-H1141	M1404100	≥ 1.5 mm	15	
	Bi20R-W30-DAN6X-H1141	M1404300	≥ 2 mm	20	
	Bi30R-W30-DAN6X-H1141	M1404501	≥ 3 mm	30	
	Bi 6R-W30-DAP6X-H1141	M1403600	≥ 0.6 mm	6	3-Wire DC PNP
	Bi10R-W30-DAP6X-H1141	M1403800	≥ 1 mm	10	
	Bi15R-W30-DAP6X-H1141	M1404000	≥ 1.5 mm	15	
	Bi20R-W30-DAP6X-H1141	M1404200	≥ 2 mm	20	
	Bi30R-W30-DAP6X-H1141	M1404500	≥ 3 mm	30	

For detailed sensor specifications see Section M.
Normally Closed versions available upon request, consult factory.



Voltage	Switching Freq. (Hz)	Operating Current (mA)	Operating Temp. (°C)	Protection	Housing	Face	End Cap	Power LED	Output LED	Mating Cord, Cable Length/Jacket	Wiring Diagram #	Wiring Diagrams
10-30 VDC	8	200	-25 to +70	IP 67	PBT	POM	N/A	GN	YE	RK 4T-*	1	<p>Diagram 1</p>
	8	200	-25 to +70	IP 67	PBT	POM	N/A	GN	YE	RK 4T-*	1	
	8	200	-25 to +70	IP 67	PBT	POM	N/A	GN	YE	RK 4T-*	1	
	8	200	-25 to +70	IP 67	PBT	POM	N/A	GN	YE	RK 4T-*	1	
10-30 VDC	8	200	-25 to +70	IP 67	PBT	POM	N/A	GN	YE	RK 4T-*	2	<p>Diagram 2</p>
	8	200	-25 to +70	IP 67	PBT	POM	N/A	GN	YE	RK 4T-*	2	
	8	200	-25 to +70	IP 67	PBT	POM	N/A	GN	YE	RK 4T-*	2	
	8	200	-25 to +70	IP 67	PBT	POM	N/A	GN	YE	RK 4T-*	2	
10-30 VDC	8	200	-25 to +70	IP 67	PBT	POM	N/A	GN	YE	2M/PVC	3	<p>Diagram 3</p>
	8	200	-25 to +70	IP 67	PBT	POM	N/A	GN	YE	2M/PVC	3	
	8	200	-25 to +70	IP 67	PBT	POM	N/A	GN	YE	2M/PVC	3	
	8	200	-25 to +70	IP 67	PBT	POM	N/A	GN	YE	2M/PVC	3	
10-30 VDC	8	200	-25 to +70	IP 67	PBT	POM	N/A	GN	YE	2M/PVC	4	<p>Diagram 4</p>
	8	200	-25 to +70	IP 67	PBT	POM	N/A	GN	YE	2M/PVC	4	
	8	200	-25 to +70	IP 67	PBT	POM	N/A	GN	YE	2M/PVC	4	
	8	200	-25 to +70	IP 67	PBT	POM	N/A	GN	YE	2M/PVC	4	
10-30 VDC	8	200	-25 to +70	IP 67	PBT	POM	N/A	GN	YE	RK 4T-*	1	
10-30 VDC	8	200	-25 to +70	IP 67	PBT	POM	N/A	GN	YE	RK 4T-*	2	
	8	200	-25 to +70	IP 67	PBT	POM	N/A	GN	YE	RK 4T-*	2	
10-30 VDC	8	200	-25 to +70	IP 67	PA 12	POM	N/A	N/A	YE	RK 4T-*	1	
	8	200	-25 to +70	IP 67	PA 12	POM	N/A	N/A	YE	RK 4T-*	1	
	8	200	-25 to +70	IP 67	PA 12	POM	N/A	N/A	YE	RK 4T-*	1	
	8	200	-25 to +70	IP 67	PA 12	POM	N/A	N/A	YE	RK 4T-*	1	
	8	200	-25 to +70	IP 67	PA 12	POM	N/A	N/A	YE	RK 4T-*	1	
10-30 VDC	8	200	-25 to +70	IP 67	PA 12	POM	N/A	N/A	YE	RK 4T-*	2	
	8	200	-25 to +70	IP 67	PA 12	POM	N/A	N/A	YE	RK 4T-*	2	
	8	200	-25 to +70	IP 67	PA 12	POM	N/A	N/A	YE	RK 4T-*	2	
	8	200	-25 to +70	IP 67	PA 12	POM	N/A	N/A	YE	RK 4T-*	2	
	8	200	-25 to +70	IP 67	PA 12	POM	N/A	N/A	YE	RK 4T-*	2	

* Length in meters.

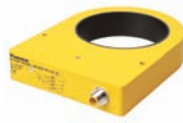
For material descriptions see page M22.



Voltage	Switching Freq. (Hz)	Operating Current (mA)	Operating Temp. (°C)	Protection	Housing	Face	End Cap	Power LED	Output LED	Mating Cord, Cable Length/Jacket	Wiring Diagram #	Wiring Diagrams
10-30 VDC	8	≤200	-25 to +70	IP 67	PA 12	POM	N/A	N/A	YE	RK 4T-*	1	<p>Diagram 1</p> <p>Diagram 2</p>
	8	≤200	-25 to +70	IP 67	PA 12	POM	N/A	N/A	YE	RK 4T-*	1	
10-55 VDC	8	≤200	-25 to +70	IP 67	ABS	ABS	N/A	N/A	YE	N/A	2	
	8	≤200	-25 to +70	IP 67	ABS	ABS	N/A	N/A	YE	N/A	2	
	8	≤200	-25 to +70	IP 67	ABS	ABS	N/A	N/A	YE	N/A	2	

For material descriptions see page M22.

Inductive Sensors



Housing Style	Part Number	ID Number	Minimum Target Diameter	Ring Dia. (mm)	Output
80 mm - Rectangular, Ring Sensor 	Bi50R-Q80-AP6X2-H1141	M1407530	³ 8 mm	50	3-Wire DC PNP
	Bi65R-Q80-AP6X2-H1141	M1407531	³ 10 mm	65	
100 mm - Rectangular, Ring Sensor 	Ni100R-S32XL-VP44X-H1141	M1510301	³ 10mm	100	4-Wire DC PNP

For detailed sensor specifications see Section M.
 Normally Closed versions available upon request, consult factory.



Voltage	Switching Freq. (Hz)	Operating Current (mA)	Operating Temp. (°C)	Protection	Housing	Face	End Cap	Power LED	Output LED	Mating Cord, Cable Length/Jacket	Wiring Diagram #	Wiring Diagrams
10-30 VDC	8	≤200	-25 to +70	IP 67	PBT	PA 66	N/A	GN	YE	RK 4T-*	1	<p>Diagram 1</p> <p>Diagram 2</p>
	8	≤200	-25 to +70	IP 67	PBT	PA 66	N/A	GN	YE	RK 4T-*	1	
10-55 VDC	8	≤200	-25 to +70	IP 67	POM	POM	N/A	N/A	YE	RK 4.4T-*	2	

For material descriptions see page M22.

Inductive Sensors



Housing Style	Part Number	ID Number	Features	Sensing Range (mm)	Output
8 mm - Slot Sensor, Potted-In Cable 	Si 2-K08-Y1	S1007700		2	2-Wire DC NAMUR
9 mm - Slot Sensor, Potted-In Cable 	Si 5-K09-Y1 0.5M	S1024000		5	2-Wire DC NAMUR
10 mm - Slot Sensor, Potted-In Cable 	Si 3.5-K10-AN7	S1719000		3.5	3-Wire DC NPN
	Si 3.5-K10-AP6X	S1650001		3.5	3-Wire DC PNP
	Si 3.5-K10-Y1	S1036500		3.5	2-Wire DC NAMUR

For detailed sensor specifications see Section M.
Normally Closed versions available upon request, consult factory.



Voltage	Switching Freq. (Hz)	Operating Current (mA)	Operating Temp. (°C)	Protection	Housing	Face	End Cap	Power LED	Output LED	Mating Cord, Cable Length/Jacket	Wiring Diagram #	Wiring Diagrams
5-30 VDC	2000	Remote	-25 to +70	IP 67	VES	VES	N/A	N/A	N/A	2M/PVC	1	<p>Diagram 1</p> <p>Diagram 2</p> <p>Diagram 3</p>
5-30 VDC	5000	Remote	-25 to +70	IP 67	PBT	PBT	N/A	N/A	N/A	2M/PVC	1	
10-30 VDC	2000	≤200	-25 to +70	IP 67	PBT	PBT	N/A	N/A	N/A	2M/PVC	2	
10-30 VDC	2000	≤200	-25 to +70	IP 67	PBT	PBT	N/A	N/A	YE	2M/PVC	3	
5-30 VDC	3000	Remote	-25 to +70	IP 67	PBT	PBT	N/A	N/A	N/A	2M/PVC	1	

For material descriptions see page M22.

Inductive Sensors



Housing Style	Part Number	ID Number	Features	Sensing Range (mm)	Output
30 mm - Slot Sensor, eurofast® Connector 	Si 15-K30-AN6X-H1141	M1605107		15	3-Wire DC NPN
	Si 15-K30-AP6X-H1141	M1605007		15	3-Wire DC PNP
30 mm - Slot Sensor, Potted-In Cable 	Si 15-K30-AN6	M1605002		15	3-Wire DC NPN
	Si 15-K30-AN6X	M1605003		15	
	Si 15-K30-AP6	M1605000		15	3-Wire DC PNP
	Si 15-K30-AP6X	M1605001		15	
	Si 15-K30-VN6	M1605032	Comp. Outputs	15	4-Wire DC NPN
	Si 15-K30-VP6	M1605030	Comp. Outputs	15	4-Wire DC PNP
	Si 15-K30-AZ3	M1306900		15	2-Wire AC/DC
Si 15-K30-Y1	M1007600		15	2-Wire DC NAMUR	
33 mm - Slot Sensor, Potted-In Cable 	Si 30-K33-VN6X	M1605202	Comp. Outputs	30	4-Wire DC NPN
	Si 30-K33-VP6X	M1605201	Comp. Outputs	30	4-Wire DC PNP
	Si 30-K33-AZ3	M1307000		30	2-Wire AC/DC
	Si 30-K33-Y1X	M1007701		30	2-Wire DC NAMUR

For detailed sensor specifications see Section M.
Normally Closed versions available upon request, consult factory.



Voltage	Switching Freq. (Hz)	Operating Current (mA)	Operating Temp. (°C)	Protection	Housing	Face	End Cap	Power LED	Output LED	Mating Cord, Cable Length/Jacket	Wiring Diagram #	Wiring Diagrams
10-30 VDC	500	≤200	-25 to +70	IP 67	PBT	PBT	N/A	N/A	YE	RK 4T-*	1	<p>Diagram 1</p>
10-30 VDC	500	≤200	-25 to +70	IP 67	PBT	PBT	N/A	N/A	YE	RK 4T-*	2	<p>Diagram 2</p>
10-30 VDC	500	≤200	-25 to +70	IP 67	PBT	PBT	N/A	N/A	N/A	2M/PVC	3	<p>Diagram 3</p>
10-30 VDC	500	≤200	-25 to +70	IP 67	PBT	PBT	N/A	N/A	YE	2M/PVC	4	
10-30 VDC	500	≤200	-25 to +70	IP 67	PBT	PBT	N/A	N/A	YE	2M/PVC	4	<p>Diagram 4</p>
10-30 VDC	350	≤200	-25 to +70	IP 67	PBT	PBT	N/A	N/A	N/A	2M/PVC	5	
10-30 VDC	350	≤200	-25 to +70	IP 67	PBT	PBT	N/A	N/A	N/A	2M/PVC	6	<p>Diagram 5</p>
20-250 VAC 10-300 VDC	20	≤400/300	-25 to +70	IP 67	PBT	PBT	N/A	N/A	N/A	2M/PVC	8	
5-30 VDC	500	Remote	-25 to +70	IP 67	PBT	PBT	N/A	N/A	N/A	2M/PVC	7	<p>Diagram 6</p>
10-30 VDC	100	≤200	-25 to +70	IP 67	PBT	PBT	N/A	N/A	YE	2M/PVC	5	
10-30 VDC	100	≤200	-25 to +70	IP 67	PBT	PBT	N/A	N/A	YE	2M/PVC	6	<p>Diagram 7</p>
10-30 VDC	100	≤200	-25 to +70	IP 67	PBT	PBT	N/A	N/A	YE	2M/PVC	6	
20-250 VAC 10-300 VDC	20	≤400/300	-25 to +70	IP 67	PBT	PBT	N/A	N/A	N/A	2M/PVC	8	<p>Diagram 8</p>
5-30 VDC	500	Remote	-25 to +70	IP 67	PBT	PBT	N/A	N/A	YE	2M/PVC	7	

For material descriptions see page M22.