

SELECTION CHARTS

GROUP A



120 X 240 PRIMARY VOLTS — 24 SECONDARY VOLTS — 50/60 Hz

CATALOG NO.	VA RATING	EUROPEAN* RATING	APPROX. DIMENSIONS INCHES (CM.)						APPROX. SHIP WEIGHT LBS. (Kg.)
			A	B	C	D	E	F	
FS-1-50									
FS-1-75									
FS-1-100									
FS-1-150									
FS-1-250									
FS-1-350									
FS-1-500									
FS-1-750									
FS-1-1000	1000	870	4.76 (12.1)	6.75 (17.1)	6.03 (15.3)	5.75 (14.6)	2.86 (7.3)	.31 x .50 (0.8 x 1.3)	26 (11.8)

Reference Group IC (CE01):
CE Series Industrial Control Transformers
50-750 VA
See Pg 84

GROUP B

240 X 480, 230 X 460, 220 X 440 PRIMARY VOLTS — 120/115/110 SECONDARY VOLTS — 50/60 Hz

CATALOG NO.	VA RATING	EUROPEAN* RATING	APPROX. DIMENSIONS INCHES (CM.)						APPROX. SHIP WEIGHT LBS. (Kg.)
			A	B	C	D	E	F	
FS-2-50									
FS-2-75									
FS-2-100									
FS-2-150									
FS-2-250									
FS-2-300									
FS-2-350									
FS-2-500									
FS-2-750									
FS-2-1000	1000	870	4.76 (12.1)	6.75 (17.1)	6.03 (15.3)	5.75 (14.6)	2.86 (7.3)	.31 x .50 (0.8 x 1.3)	26 (11.8)
FS-2-1500	1500	1290	6.01 (15.3)	6.75 (17.1)	6.03 (15.3)	5.75 (14.6)	4.13 (10.5)	.31 x .50 (0.8 x 1.3)	38 (17.2)
FS-2-2000	2000	1680	6.51 (16.5)	6.75 (17.1)	6.03 (15.3)	5.75 (14.6)	4.63 (11.8)	.31 x .50 (0.8 x 1.3)	44 (20.0)
FS-2-3000	3000	2465	7.44 (18.9)	7.50 (19.1)	6.68 (17.0)	6.50 (16.5)	6.47 (16.4)	.41 x .81 (1.0 x 2.1)	60 (27.2)

Reference Group VIC (CE06):
CE Series Industrial Control Transformers
50-750 VA
See Pg 85

GROUP C

240/416/480/600; 230/400/460/575; 220/380/440/550; 208/500 PRIMARY VOLTS
99/120/130; 95/115/125; 91/110/120; 85/100/110 SECONDARY VOLTS — 50/60 Hz

CATALOG NO.	VA RATING	EUROPEAN* RATING	APPROX. DIMENSIONS INCHES (CM.)						APPROX. SHIP WEIGHT LBS. (Kg.)
			A	B	C	D	E	F	
FS-3-50	50	50	2.59 (6.6)	3.75 (9.5)	3.64 (9.2)	3.13 (8.0)	1.70 (4.3)	.22 x .50 (0.6 x 1.3)	5 (2.3)
FS-3-150	150	150	3.31 (8.4)	4.50 (11.4)	4.15 (10.5)	3.75 (9.5)	2.18 (5.5)	.22 x .50 (0.6 x 1.3)	8 (3.6)
FS-3-250	250	250	3.61 (9.2)	4.68 (12.4)	4.46 (11.3)	4.06 (10.3)	2.28 (5.9)	.22 x .50 (0.6 x 1.3)	11 (5.0)
FS-3-350	350	345	4.69 (11.9)	4.88 (12.4)	4.46 (11.3)	4.06 (10.3)	3.48 (8.8)	.22 x .50 (0.6 x 1.3)	17 (7.7)
FS-3-500	500	490	4.39 (11.2)	6.75 (17.1)	6.03 (15.3)	5.75 (14.6)	2.48 (6.3)	.31 x .50 (0.8 x 1.3)	22 (10.0)
FS-3-750	750	720	5.18 (13.2)	6.75 (17.1)	6.03 (15.3)	5.75 (14.6)	3.21 (8.4)	.31 x .50 (0.8 x 1.3)	30 (13.6)
FS-3-1000	1000	870	6.19 (15.7)	6.75 (17.1)	6.03 (15.3)	5.75 (14.6)	4.30 (10.9)	.31 x .50 (0.8 x 1.3)	39 (17.7)
FS-3-1500	1500	1290	6.26 (15.9)	7.50 (19.1)	6.68 (17.0)	6.50 (16.5)	5.26 (13.4)	.41 x .81 (1.0 x 2.1)	51 (23.1)
FS-3-2000	2000	1680	7.76 (19.7)	7.50 (19.1)	7.70 (19.6)	6.50 (16.5)	6.75 (17.1)	.41 x .81 (1.0 x 2.1)	66 (29.9)
FS-3-3000	3000	2465	8.88 (22.6)	11.92 (30.3)	8.83 (22.4)	6.75 (17.1)	5.75 (14.6)	.41 x .81 (1.0 x 2.1)	70 (31.8)

FUSE KITS – FOR FINGER/GUARD® INDUSTRIAL CONTROL TRANSFORMERS

CATALOG NO.	DESCRIPTION
PL-79905	PRIMARY FUSE KIT FOR CLASS CC FUSES
PL-79906	PRIMARY & SECONDARY FUSE KIT FOR CLASS CC PRIMARY FUSES & MIDGET SECONDARY FUSE
PL-79907	PRIMARY FUSE KIT FOR MIDGET FUSES
PL-79908	PRIMARY & SECONDARY FUSE KIT FOR MIDGET FUSES

* EN60742 requires transformers to pass the temperature rise limits of a 130° C (Class B) insulation system at 6% above the rated supply voltage.

CONNECTION DETAILS FOR GROUP C

CONNECT TO LINE FOR RESPECTIVE VOLTAGE				OUTPUT VOLTS		
H1-H2	H1-H3	H1-H4	H1-H5	X1-X2	X1-X3	X1-X4
208	–	–	500	85	100	110
220	380	440	550	91	110	120
230	400	460	575	95	115	125
240	416	480	600	99	120	130

PRIMARY FUSE SIZING CHARTS

RECOMMENDED RATING FOR CURRENT LIMITING CLASS CC FUSES

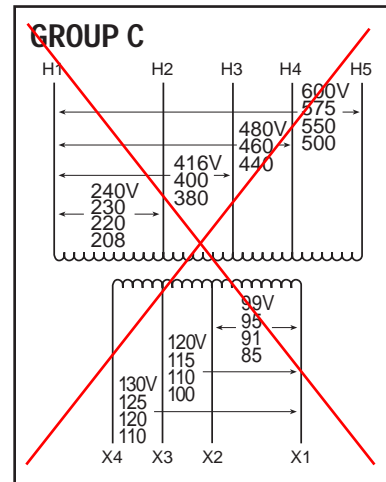
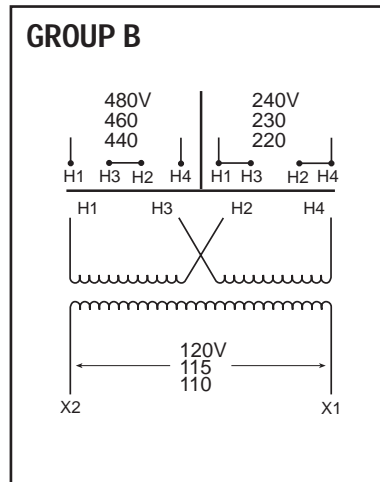
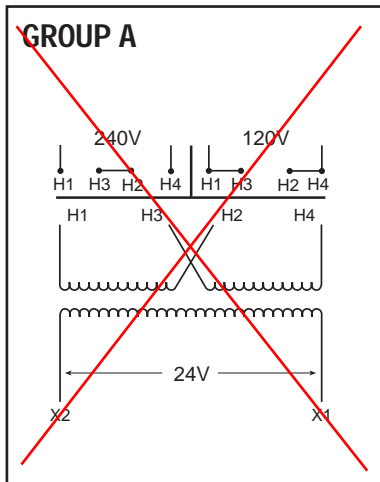
	120 V	208 V	220 V	230 V	240 V	380 V	400 V	416 V	440 V	460 V	480 V	500 V	550 V	575 V	600 V
50 VA	1.25	0.60	0.60	0.60	0.60	0.30	0.30	0.30	0.30	0.30	0.30	0.30	0.25	0.25	0.25
75 VA	1.80	1.00	1.00	0.80	0.80	0.50	0.50	0.50	0.50	0.40	0.40	0.40	0.40	0.30	0.30
100 VA	2.50	1.40	1.25	1.25	1.25	0.75	0.75	0.60	0.60	0.60	0.60	0.60	0.50	0.50	0.50
150 VA	3.50	2.00	2.00	1.80	1.80	1.13	1.13	1.00	1.00	0.80	0.80	0.80	0.80	0.75	0.75
250 VA	3.20	3.50	3.20	3.20	3.00	1.80	1.80	1.80	1.60	1.60	1.50	1.50	1.25	1.25	1.25
300 VA	4.00	4.00	4.00	3.50	3.50	2.25	2.25	2.00	2.00	1.80	1.80	1.80	1.60	1.50	1.50
350 VA	4.50	5.00	4.50	4.50	4.00	2.50	2.50	2.50	2.25	2.25	2.00	2.00	1.80	1.80	1.60
500 VA	6.25	4.00	3.50	3.50	3.20	3.50	3.50	3.50	3.20	3.20	3.00	3.00	2.50	2.50	2.50
750 VA	10.00	6.00	5.60	5.00	5.00	5.60	5.60	5.00	5.00	4.50	4.50	4.50	4.00	3.50	3.50
1000 VA	12.00	8.00	7.50	7.00	6.25	4.00	4.00	4.00	3.50	3.50	3.20	3.20	5.00	5.00	5.00
1500 VA	20.00	12.00	10.00	10.00	10.00	6.25	6.25	6.00	5.60	5.00	5.00	5.00	4.50	4.00	4.00
2000 VA	25.00	15.00	12.00	12.00	12.00	8.00	8.00	8.00	7.50	7.00	6.25	6.25	6.00	5.60	5.00
3000 VA	30.00	20.00	20.00	20.00	20.00	12.00	12.00	12.00	10.00	10.00	10.00	10.00	9.00	8.00	8.00

NOTE: Bold lines indicate changes in the percent of rated current used to calculate fuse sizes in accordance with article 450 of the NEC.

RECOMMENDED RATING FOR CARTRIDGE FUSES WITH FERRULE CONTACTS

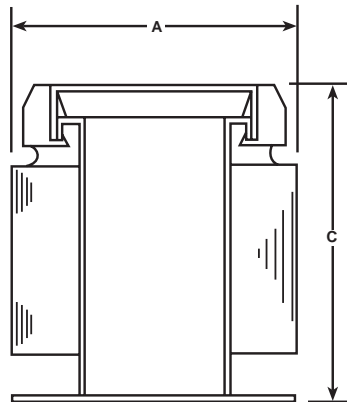
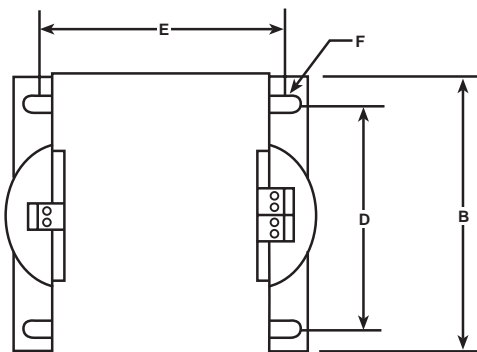
	120 V	208 V	220 V	230 V	240 V	380 V	400 V	416 V	440 V	460 V	480 V	500 V	550 V	575 V	600 V
50 VA	1.00	0.50	0.50	0.50	0.50	0.50	0.50	0.50	0.50	0.50	0.50	0.50	0.50	0.50	0.50
75 VA	1.00	0.50	0.50	0.50	0.50	0.50	0.50	0.50	0.50	0.50	0.50	0.50	0.50	0.50	0.50
100 VA	2.00	1.00	1.00	1.00	1.00	0.50	0.50	0.50	0.50	0.50	0.50	0.50	0.50	0.50	0.50
150 VA	2.00	1.00	1.00	1.00	1.00	0.50	0.50	0.50	0.50	0.50	0.50	0.50	0.50	0.50	0.50
250 VA	4.00	2.00	2.00	2.00	2.00	1.00	1.00	1.00	1.00	1.00	1.00	1.00	1.00	1.00	1.00
300 VA	4.00	2.00	2.00	2.00	2.00	1.00	1.00	1.00	1.00	1.00	1.00	1.00	1.00	1.00	1.00
350 VA	4.00	4.00	2.00	2.00	2.00	2.00	2.00	2.00	1.00	1.00	1.00	1.00	1.00	1.00	1.00
500 VA	6.00	4.00	4.00	4.00	4.00	2.00	2.00	2.00	2.00	2.00	2.00	2.00	2.00	2.00	2.00
750 VA	8.00	6.00	6.00	6.00	4.00	4.00	4.00	4.00	4.00	4.00	2.00	2.00	2.00	2.00	2.00
1000 VA	12.00	6.00	6.00	6.00	6.00	4.00	4.00	4.00	4.00	4.00	4.00	4.00	4.00	4.00	4.00
1500 VA	16.00	10.00	10.00	10.00	8.00	6.00	6.00	6.00	6.00	6.00	4.00	4.00	4.00	4.00	4.00
2000 VA	25.00	12.00	12.00	12.00	12.00	8.00	8.00	6.00	6.00	6.00	6.00	6.00	6.00	6.00	6.00
3000 VA	32.00	20.00	20.00	20.00	16.00	10.00	10.00	10.00	10.00	10.00	8.00	8.00	8.00	8.00	8.00

FINGER/GUARD® Wiring Diagrams

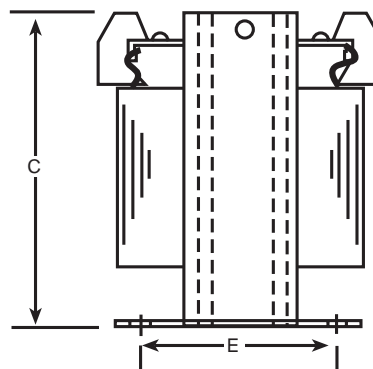
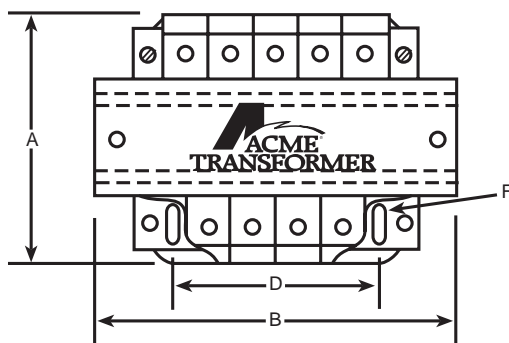


FINGER/GUARD® Dimensional Drawings

50 VA Thru 2 KVA



3 KVA



NEW

GROUP IVC



380/400/415 PRIMARY VOLTS — 110/220 SECONDARY VOLTS — 1Ø, 50/60 Hz

VA RATING	CATALOG NUMBER	APPROX. DIMENSIONS INCHES (CM.)					MOUNTING SLOT	APPROX. SHIPPING WT
		A	B	C	D	E	F	
50	CE04-0050	3.53 (8.9)	3.00 (7.6)	2.81 (7.1)	2.53 (6.4)	2.53 (6.4)	.20 x .40 (0.5 x 1.0)	2.6 (1.2)
100	CE04-0100	3.53 (8.9)	3.75 (9.5)	3.22 (8.1)	2.53 (6.4)	3.13 (8.0)	.20 x .40 (0.5 x 1.0)	4.3 (1.9)
150	CE04-0150	3.53 (8.9)	4.34 (11.0)	3.41 (8.6)	2.53 (6.4)	3.75 (9.5)	.20 x .40 (0.5 x 1.0)	6.7 (3.0)
250	CE04-0250	4.03 (10.2)	4.50 (11.4)	4.22 (10.7)	3.22 (8.1)	3.75 (9.5)	.20 x .40 (0.5 x 1.0)	9.4 (4.3)
350	CE04-0350	4.91 (12.4)	4.50 (11.4)	4.22 (10.7)	4.06 (10.3)	4.38 (11.1)	.20 x .40 (0.5 x 1.0)	13.0 (5.9)
500	CE04-0500	6.00 (15.2)	5.25 (13.3)	4.69 (11.9)	4.78 (12.1)	4.38 (11.1)	.31 x .69 (0.8 X 1.7)	18.8 (8.5)
750	CE04-0750	6.81 (17.3)	5.25 (13.3)	4.69 (11.9)	5.75 (14.6)	4.38 (11.1)	.31 x .69 (0.8 X 1.7)	26.0 (11.8)

NEW

GROUP VC

208, 220/380/440, 230/400/460, 240/416/480 PRIMARY VOLTS —
85/100/110, 91/110/120, 95/115/125, 99/120/130 SECONDARY VOLTS — 1Ø, 50/60 Hz

VA RATING	CATALOG NUMBER	APPROX. DIMENSIONS INCHES (CM.)					MOUNTING SLOT	APPROX. SHIPPING WT
		A	B	C	D	E	F	
50	CE05-0050	4.03 (10.2)	3.41 (8.6)	3.09 (7.8)	2.47 (6.2)	2.81 (7.1)	.20 x .40 (0.5 x 1.0)	2.7 (1.2)
150	CE05-0150	3.88 (9.8)	4.34 (11.0)	3.41 (8.6)	2.88 (7.3)	3.75 (9.5)	.20 x .40 (0.5 x 1.0)	6.7 (3.0)
250	CE05-0250	5.13 (13.0)	4.50 (11.4)	4.03 (10.2)	4.38 (11.1)	3.75 (9.5)	.20 x .40 (0.5 x 1.0)	9.5 (4.3)
350	CE05-0350	5.91 (15.0)	5.25 (13.3)	4.03 (10.2)	4.78 (12.1)	4.38 (11.1)	.31 x .69 (0.8 X 1.7)	13.3 (6.0)
500	CE05-0500	5.91 (15.0)	5.25 (13.3)	4.66 (11.8)	4.63 (11.7)	4.38 (11.1)	.31 x .69 (0.8 X 1.7)	19.0 (8.6)
750	CE05-0750	7.09 (18.0)	5.25 (13.3)	4.66 (11.1)	5.81 (14.7)	4.38 (11.1)	.31 x .69 (0.8 X 1.7)	27.0 (12.2)

NEW

GROUP VIC

240 x 480, 230 x 460, 220 x 440 PRIMARY VOLTS — 120/115/110 SECONDARY VOLTS — 1Ø, 50/60 Hz

VA RATING	CATALOG NUMBER	APPROX. DIMENSIONS INCHES (CM.)					MOUNTING SLOT	APPROX. SHIPPING WT
		A	B	C	D	E	F	
50	CE06-0050	3.41 (8.6)	3.00 (7.6)	2.81 (7.1)	2.53 (6.4)	2.53 (6.4)	.20 x .40 (0.5 x 1.0)	2.6 (1.2)
75	CE06-0075	3.41 (8.6)	3.28 (8.3)	2.81 (7.1)	2.53 (6.4)	2.81 (7.1)	.20 x .40 (0.5 x 1.0)	3.6 (1.6)
100	CE06-0100	3.41 (8.6)	3.75 (9.5)	3.09 (7.8)	2.53 (6.4)	3.13 (7.9)	.20 x .40 (0.5 x 1.0)	4.3 (1.9)
150	CE06-0150	3.88 (9.8)	4.50 (11.4)	3.47 (8.8)	2.53 (6.4)	3.75 (9.5)	.20 x .40 (0.5 x 1.0)	6.7 (3.0)
250	CE06-0250	4.13 (10.4)	4.50 (11.4)	4.03 (10.2)	3.22 (8.1)	3.75 (9.5)	.20 x .40 (0.5 x 1.0)	9.4 (4.3)
300	CE06-0300	4.53 (11.5)	4.50 (11.4)	4.03 (10.2)	3.75 (9.5)	3.75 (9.5)	.20 x .40 (0.5 x 1.0)	10.9 (4.9)
350	CE06-0350	5.00 (12.7)	5.25 (13.3)	4.03 (10.2)	3.75 (9.5)	4.38 (11.1)	.31 x .69 (0.8 X 1.7)	13.0 (5.9)
500	CE06-0500	6.00 (15.2)	5.25 (13.3)	4.66 (11.8)	4.78 (12.1)	4.38 (11.1)	.31 x .69 (0.8 X 1.7)	18.8 (8.5)
750	CE06-0750	6.81 (17.3)	5.25 (13.3)	4.66 (11.8)	5.75 (14.6)	4.38 (11.1)	.31 x .69 (0.8 X 1.7)	26.0 (11.8)