

SELECTION CHARTS

NEW

GROUP A



120 X 240 PRIMARY VOLTS — 24 SECONDARY VOLTS — 1Ø, 50/60 Hz

CATALOG NO. ②	VA RATING	OUTPUT AMPS	APPROX. DIMENSIONS Inches (Cm.)						APPROX. SHIP WEIGHT Lbs. (Kg.)	PRIMARY FUSE BLOCK PART NO.	SECONDARY FUSE KIT ① PART NO.	SECONDARY FUSE SIZE 24 VOLTS
			A	B	C	D	E	F				
TB-81141 ②	50	2.08	4.23 (10.7)	3.00 (7.6)	2.70 (6.8)	2.50 (6.4)	2.13 (5.4)	.22 x .50 (0.6 x 1.3)	4 (1.8)	PL-112700	*	3 ² / ₁₀ amps
TB-81142 ②	75	3.13	4.74 (12.0)	3.00 (7.6)	2.70 (6.8)	2.50 (6.4)	2.61 (6.6)	.22 x .50 (0.6 x 1.3)	4 (1.8)	PL-112700	*	5 amps
TB-81143 ②	100	4.17	4.90 (12.4)	3.00 (7.6)	2.70 (6.8)	2.50 (6.4)	2.81 (7.1)	.22 x .50 (0.6 x 1.3)	4 (1.8)	PL-112700	*	6 ¹ / ₄ amps
TB-81144 ②	150	6.25	4.78 (12.1)	3.75 (9.5)	3.40 (8.6)	3.13 (8.0)	2.63 (6.7)	.22 x .50 (0.6 x 1.3)	6 (2.7)	PL-112701	*	10 amps
TB-81146 ②	250	10.42	5.08 (12.9)	4.50 (11.4)	3.84 (9.8)	3.75 (9.5)	3.05 (7.7)	.22 x .50 (0.6 x 1.3)	9 (4.1)	PL-112702	*	15 amps
TB-81148 ②	350	14.58	6.12 (15.5)	4.50 (11.4)	3.84 (9.8)	3.75 (9.5)	4.06 (10.3)	.22 x .50 (0.6 x 1.3)	13 (5.9)	PL-112702	*	20 amps
TB-81149 ②	500	20.83	5.70 (15.0)	5.25 (13.3)	4.47 (11.4)	4.38 (11.1)	4.19 (10.6)	.31 x .50 (0.8 x 1.3)	16 (7.3)	PL-112704	*	30 amps
TB-81150	750	31.25	7.53 (19.1)	5.25 (13.3)	4.47 (11.4)	4.38 (11.1)	5.25 (13.3)	.31 x .50 (0.8 x 1.3)	24 (10.9)	PL-112704	*	—
TB-81151	1000	41.67	7.43 (18.9)	6.75 (17.1)	5.72 (14.5)	5.75 (14.6)	3.81 (9.7)	.31 x .50 (0.8 x 1.3)	26 (11.8)	PL-112705	*	—

* See fusing chart for secondary fuse kits.

NEW

GROUP B

240 X 480, 230 X 460, 220 X 440 PRIMARY VOLTS — 120/115/110 SECONDARY VOLTS — 1Ø, 50/60 Hz

CATALOG NO. ②	VA RATING	OUTPUT AMPS @ 120V	APPROX. DIMENSIONS INCHES (CM.)						APPROX. SHIP WEIGHT LBS. (KG.)	PRIMARY FUSE BLOCK PART NO.	SECONDARY FUSE KIT ① PART NO.	SECONDARY FUSE SIZE 120 VOLTS
			A	B	C	D	E	F				
TB-81210 ②	50	0.42	4.23 (10.7)	3.00 (7.6)	2.70 (6.8)	2.50 (6.4)	2.13 (5.4)	.22 x .50 (0.6 x 1.3)	4 (1.8)	PL-112700	*	6 ¹ / ₁₀ amp
TB-81201 ②	75	0.63	4.74 (12.0)	3.00 (7.6)	2.70 (6.8)	2.50 (6.4)	2.61 (6.6)	.22 x .50 (0.6 x 1.3)	4 (1.8)	PL-112700	*	1 amp
TB-81211 ②	100	0.83	4.90 (12.4)	3.00 (7.6)	2.70 (6.8)	2.50 (6.4)	2.81 (7.1)	.22 x .50 (0.6 x 1.3)	4 (1.8)	PL-112700	*	1 ¹ / ₄ amps
TB-81212 ②	150	1.25	5.00 (12.7)	3.75 (9.5)	3.40 (8.6)	3.13 (8.0)	2.81 (7.1)	.22 x .50 (0.6 x 1.3)	6 (2.7)	PL-112701	*	2 amps
TB-81213 ②	250	2.08	5.57 (14.1)	4.50 (11.4)	3.84 (9.8)	3.75 (9.5)	3.13 (8.0)	.22 x .50 (0.6 x 1.3)	9 (4.1)	PL-112702	*	3 ² / ₁₀ amps
TB-81200 ②	300	2.50	5.57 (14.1)	4.50 (11.4)	3.84 (9.8)	3.75 (9.5)	3.13 (8.0)	.22 x .50 (0.6 x 1.3)	10 (4.5)	PL-112702	*	4 amps
TB-81214 ②	350	2.92	6.32 (16.1)	4.50 (11.4)	3.84 (9.8)	3.75 (9.5)	3.83 (9.7)	.22 x .50 (0.6 x 1.3)	12 (5.4)	PL-112702	*	4 ¹ / ₂ amps
TB-81215 ②	500	4.17	6.30 (16.0)	5.25 (13.3)	4.47 (11.4)	4.06 (10.3)	3.81 (9.7)	.22 x .50 (0.6 x 1.3)	15 (6.8)	PL-112704	*	6 ¹ / ₄ amps
TB-81216 ②	750	6.25	6.65 (16.9)	5.25 (13.3)	4.47 (11.4)	4.38 (11.1)	5.13 (13.0)	.31 x .50 (0.8 x 1.3)	23 (10.4)	PL-112704	*	10 amps
TB-81217 ②	1000	8.33	7.58 (19.3)	6.75 (17.1)	5.78 (14.7)	5.75 (14.6)	3.69 (9.4)	.31 x .50 (0.8 x 1.3)	25 (11.3)	PL-112705	*	12 amps

* See fusing chart for secondary fuse kits.

① Secondary Fuse Kit PL-112603 may be substituted for PL-112600 thru PL-112602 when Primary Fuse Kit is used. See page 71.

② See chart for integrally mounted fuse block catalog number suffix.

GROUP B

(CONTINUED)



240 X 480, 230 X 460, 220 X 440 PRIMARY VOLTS — 120/115/110 SECONDARY VOLTS — 1Ø, 50/60 Hz

CATALOG NO. ②	VA RATING	OUTPUT AMPS @ 120V	APPROX. DIMENSIONS INCHES (CM.)						APPROX. SHIP WEIGHT LBS. (KG.)	PRIMARY FUSE BLOCK PART NO.	SECONDARY FUSE KIT ① PART NO.	SECONDARY FUSE SIZE 120 VOLTS
			A	B	C	D	E	F				
TA-2-81218	1500	12.50	8.80 (22.4)	6.75 (17.1)	5.72 (14.5)	5.75 (14.6)	5.75 (14.6)	.31 x .50 (0.8 x 1.3)	43 (19.5)	PL-112705	PL-112601	15 amps
TA-2-81219	2000	16.67	9.25 (23.5)	6.75 (17.1)	5.72 (14.5)	5.75 (14.6)	6.38 (16.2)	.31 x .50 (0.8 x 1.3)	49 (22.2)	PL-112705	PL-112601	20 amps
TA-2-81220	3000	25.00	8.81 (22.4)	7.50 (19.1)	8.34 (21.2)	6.50 (16.5)	7.52 (19.1)	.41 x .81 (1.0 x 2.1)	70 (31.8)	PL-112706	—	—
TA-2-81221	5000	41.67	7.52 (19.1)	11.92 (30.3)	9.49 (24.1)	6.75 (17.1)	6.25 (15.9)	.41 x .81 (1.0 x 2.1)	125 (56.7)	PL-112707	—	—

* See fusing chart for secondary fuse kits.

Integrally Mounted Fuse Blocks Available:
(See Chart)

GROUP 'A' THROUGH 500 VA

GROUP 'B' THROUGH 1000 VA

ADD SUFFIX TO CATALOG NO.	CONFIGURATION
- F2	Factory installed integrally mounted 2-pole primary block
- F3	Factory installed integrally mounted 3-pole primary and secondary block (100 VA & larger)
- F4	Factory installed 2-pole primary block and secondary fuse clips (50 & 75 VA)

Consult factory for other sizes available.

GROUP C

240/480/600, 230/460/575, 220/440/550 PRIMARY VOLTS — 120/100, 115/95, 110/90 SECONDARY VOLTS — 1Ø, 50/60 Hz

CATALOG NO.	VA RATING	OUTPUT AMPS @ 120V	APPROX. DIMENSIONS INCHES (CM.)						APPROX. SHIP WEIGHT LBS. (KG.)	PRIMARY FUSE BLOCK PART NO.	SECONDARY FUSE KIT ① PART NO.	SECONDARY FUSE SIZE 120 VOLTS
			A	B	C	D	E	F				
TB-81000	50	0.42	4.56 (11.6)	3.00 (7.6)	2.70 (6.8)	2.50 (6.4)	2.61 (6.6)	.22 x .50 (0.6 x 1.3)	4 (1.8)	PL-112700	*	6/10 amp
TB-81009	75	0.63	4.90 (12.4)	3.00 (7.6)	2.70 (6.8)	2.50 (6.4)	2.81 (7.1)	.22 x .50 (0.6 x 1.3)	4 (1.8)	PL-112700	*	1 amp
TB-81001	100	0.83	5.36 (13.6)	3.00 (7.6)	2.70 (6.8)	2.50 (6.4)	3.26 (8.3)	.22 x .50 (0.6 x 1.3)	5 (2.3)	PL-112700	*	1 1/4 amps
TB-81002	150	1.25	5.00 (12.7)	3.75 (9.5)	3.40 (8.6)	3.13 (8.0)	3.06 (7.8)	.22 x .50 (0.6 x 1.3)	7 (3.2)	PL-112701	*	2 amps
TB-81003	250	2.08	5.57 (14.1)	4.50 (11.4)	3.84 (9.8)	3.75 (9.5)	3.50 (8.9)	.22 x .50 (0.6 x 1.3)	11 (5.0)	PL-112702	*	3 2/10 amps
TB-81020	300	2.50	6.48 (16.5)	4.65 (11.8)	4.15 (10.5)	4.06 (10.3)	4.06 (10.3)	.22 x .50 (0.6 x 1.3)	15 (6.8)	PL-112702	*	4 amps
TB-81004	350	2.92	6.48 (16.5)	4.65 (11.8)	4.15 (10.5)	4.06 (10.3)	4.06 (10.3)	.22 x .50 (0.6 x 1.3)	15 (6.8)	PL-112702	*	4 1/2 amps
TB-81005	500	4.17	6.43 (16.3)	5.25 (13.3)	4.47 (11.4)	4.38 (11.1)	4.56 (11.6)	.31 x .50 (0.8 x 1.3)	21 (9.5)	PL-112704	*	6 1/4 amps
TB-81006	750	6.25	7.19 (18.3)	6.75 (17.1)	5.78 (14.7)	5.75 (14.6)	3.81 (9.7)	.31 x .50 (0.8 x 1.3)	25 (11.3)	PL-112705	*	10 amps
TB-81007	1000	8.33	7.96 (20.2)	6.75 (17.1)	5.78 (14.7)	5.75 (14.6)	4.63 (11.8)	.31 x .50 (0.8 x 1.3)	32 (14.5)	PL-112705	*	12 amps
TA-2-81008	1500	12.50	9.46 (24.0)	6.75 (17.1)	5.72 (14.5)	5.75 (14.6)	6.38 (16.2)	.31 x .50 (0.8 x 1.3)	47 (21.3)	PL-112705	PL-112601	15 amps
TA-2-53929	2000	16.67	7.90 (20.1)	7.50 (19.1)	7.66 (19.5)	6.50 (16.5)	6.57 (16.7)	.41 x .81 (1.0 x 2.1)	55 (24.9)	PL-112706	PL-112601	20 amps
TA-2-53930	3000	25.00	7.02 (17.8)	11.92 (30.3)	8.83 (22.4)	6.75 (17.1)	5.75 (14.6)	.41 x .81 (1.0 x 2.1)	75 (34.0)	PL-112707	—	—
TA-2-53931	5000	41.67	7.52 (19.1)	11.92 (30.3)	9.49 (24.1)	6.75 (17.1)	6.25 (15.9)	.41 x .81 (1.0 x 2.1)	110 (49.9)	PL-112707	—	—

* See fusing chart for secondary fuse kits.

① Secondary Fuse Kit PL-112603 may be substituted for PL-112600 thru PL-112602 when Primary Fuse Kit is used. See page 71.

② See chart for integrally mounted fuse block catalog number suffix.

NEW

TB Series Primary Fuse Kits

Type PL-112700 Through PL-112705:
Using 2 Class CC Dual Element Fuses (not supplied)

- Meets NEC Article 450 and UL-508 requirements.
- For use with class "CC" fuses.
- Eliminates remote mounting of primary overcurrent protection.
- Covered by Acme Electric 10-year limited warranty.

Field installation is fast and easy. Simply loosen the mounting hardware (Fig. 1), slide the bracket over the transformer and re-tighten the mounting hardware. Make the proper connections with the factory furnished jumpers (Fig. 2) and your unit is ready for operation.

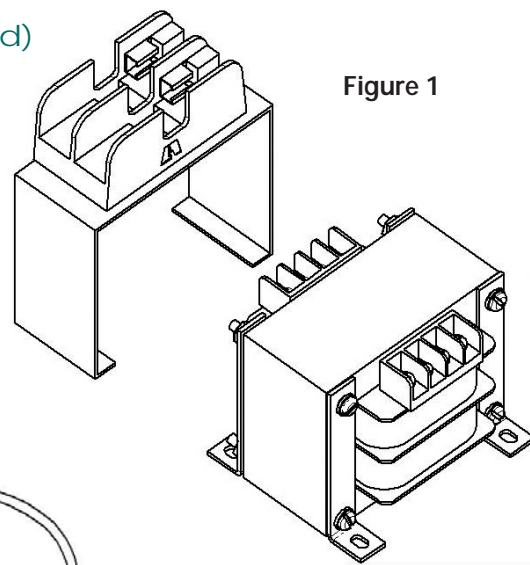


Figure 1

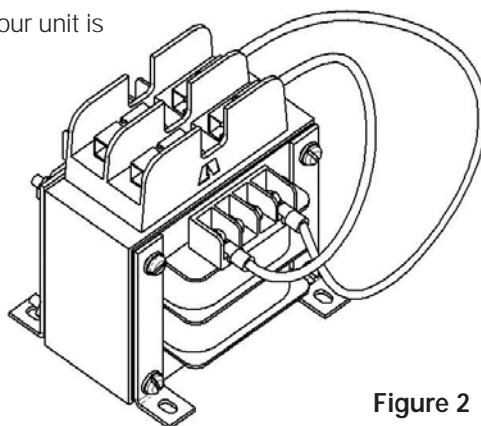


Figure 2

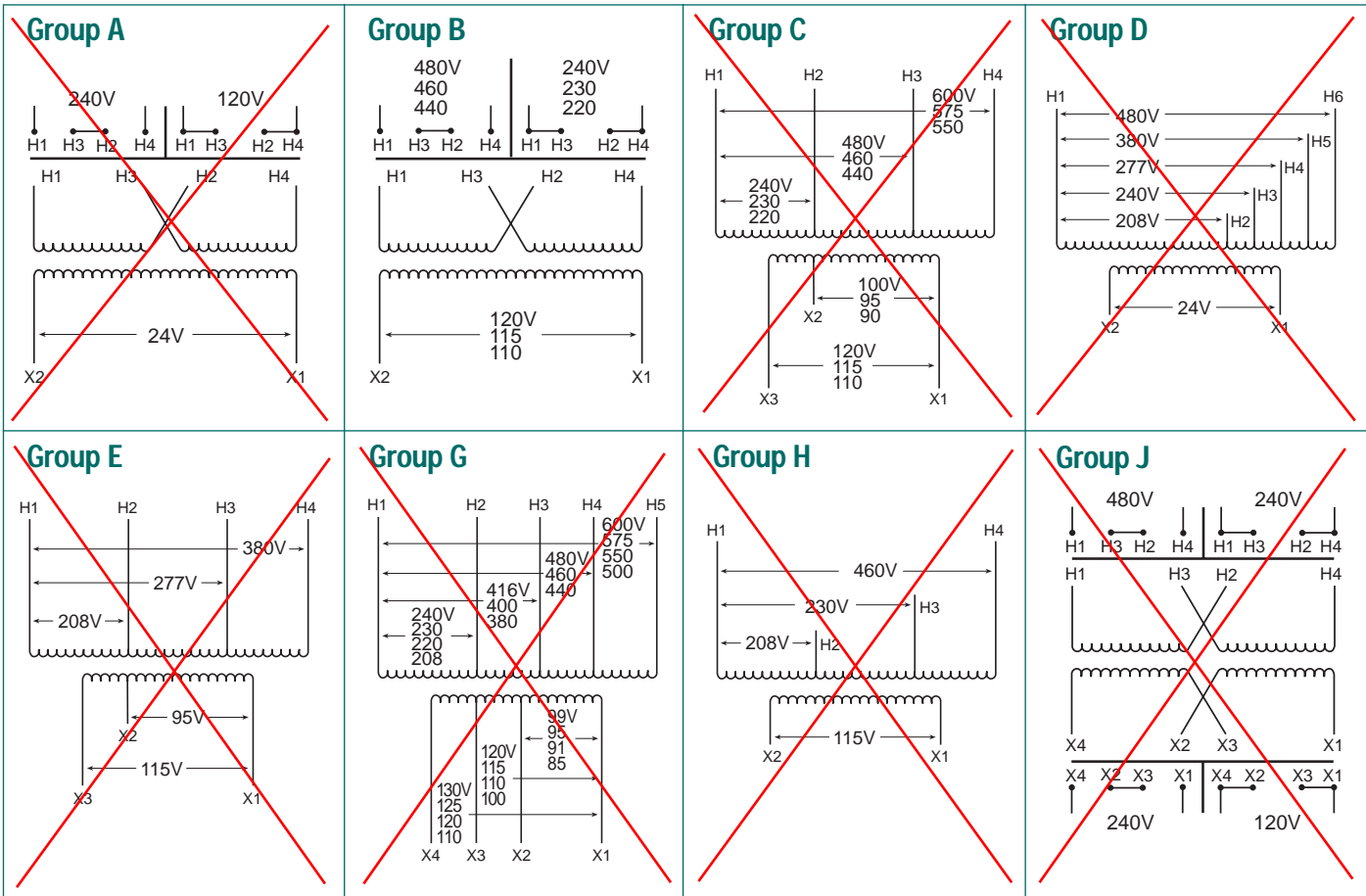
Primary Fuse Sizing Chart ①

VA	120 V	208 V	230 V	240 V	277 V	380 V	416 V	440 V	460 V	480 V	550 V	600 V
50	1.2	0.6	0.6	0.6	0.6	0.3	0.3	0.3	0.3	0.3	0.3	0.3
75	1.9	1.0	1.0	1.0	0.8	0.6	0.6	0.6	0.5	0.5	0.4	0.4
100	2.5	1.5	1.3	1.3	1.0	0.8	0.8	0.6	0.6	0.6	0.6	0.5
150	3.8	2.0	2.0	1.9	1.5	1.2	1.2	1.0	1.0	1.0	0.8	0.8
250	3.5	3.5	3.5	3.0	3.0	2.0	1.8	1.8	1.5	1.5	1.4	1.2
300	4.0	4.0	4.0	3.5	3.0	2.5	2.5	2.0	2.0	1.9	1.5	1.5
350	5.0	5.0	4.5	4.0	4.0	2.5	2.5	2.5	2.0	2.0	1.9	1.8
500	7.0	4.0	3.5	3.5	5.5	4.0	3.5	3.5	3.5	3.0	3.0	2.5
750	10.0	6.0	5.5	5.0	4.5	6.0	5.5	5.0	5.0	5.0	4.0	4.0
1000	15.0	8.0	7.0	7.0	6.0	4.5	4.0	3.5	3.5	3.5	5.5	5.0
1500	20.0	12.0	12.0	12.0	10.0	7.0	6.0	6.0	5.5	5.5	5.0	4.5
2000	25.0	12.0	15.0	15.0	12.0	9.0	8.0	8.0	7.5	7.0	6.0	6.0
3000	30.0	20.0	20.0	20.0	15.0	15.0	12.0	12.0	12.0	12.0	10.0	9.0
5000	—	30.0	30.0	30.0	25.0	20.0	15.0	15.0	15.0	15.0	12.0	15.0

① Fuse size based on time delay class CC fuses.

NOTE: Bold lines indicate changes in the percent of rated current used to calculate fuse sizes in accordance with article 450 of the NEC.

NEW TB Series Open Core & Coil Wiring Diagrams



NEW TB Series Open Core & Coil Dimensional Drawings

