

NGG Circuit Breaker

Shunt Trip Contains (1) shunt trip device. A combination includes a shunt trip device and an auxiliary switch with 1A-1B contacts.

Control Voltage			Shunt Trip	Shunt Trip and Auxiliary Switch Combination
AC	DC	Current Draw	Catalog Number	Catalog Number
120	—	0.09A	CQDST120	CQDST120AAS
240	—	0.50A	CQDST240	CQDST240AAS
277	—	0.55A	CQDST277	CQDST277AAS
380 – 415	—		STRGT415 ①	ASTGT415 ①
480	—	0.45A	CQDST480	CQDST480AAS
600	—	0.50A	CQDST600	CQDST600AAS
—	12	1.20A	CQDST12	CQDST12DAS
—	24	0.80A	CQDST24	CQDST24DAS
—	48	0.80A	CQDST48	CQDST48DAS
—	125	0.35A	CQDST125	CQDST125DAS

① This is an IEC only rating

Auxiliary Switch Contains (1) or (2) sets of “A” contacts and “B” contacts.

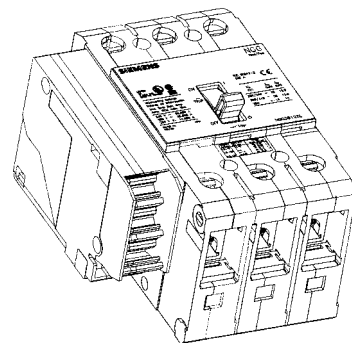
Maximum Control Supply Voltage U _s		Single Auxiliary Switch 1A-1B Contact	Max. Operational Current	Double Auxiliary 2A-2B Switch Contacts	Maximum Operational Current
AC	DC	Catalog Number		Catalog Number	
240	125	CQDA1	@240V AC – 15A @125V DC – 0.5A	CQDA2	@240V AC – 15A @125V DC – 0.5A

Alarm Switch Contains (1) sets of “A” contacts and “B” contacts.

Maximum Control Supply Voltage U _s		Single Alarm Switch Catalog Number	Auxiliary and Alarm Switch Catalog Number	Maximum Operational Current
AC	DC			
240	125	CQDBA	CQDA1BA	@240V AC – 15A @125V DC – 0.5A

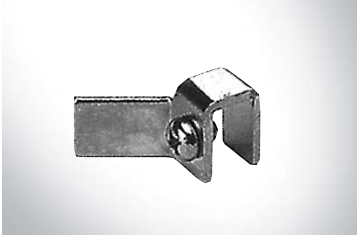
Available Accessory Combinations

Shunt Trip	Auxiliary Switch	Alarm Contact
1	0	0
0	1	0
0	2	0
1	1	0
0	0	1
0	1	1



Mounted left side only, not available on single pole breakers.

External Accessories



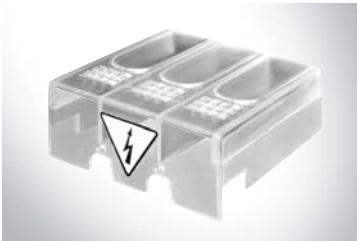
Handle Blocking Device
BQDHBD



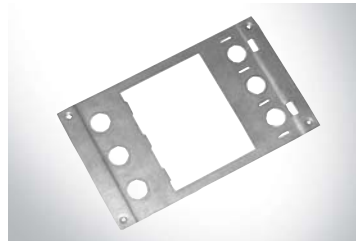
Handle Padlock Device
HPLG
(Use BQDPLD in panelboards)



Mounting Screw Kit
MSKG4



Terminal Shield (3-pole)
TSSG3A Line
TSSG3B Load



Face Mounting Plate
FMPG1 1-pole
FMPG2 2-pole
FMPG3 3-pole



Nut Keeper Plate
TNKG3 (Kit of 3)

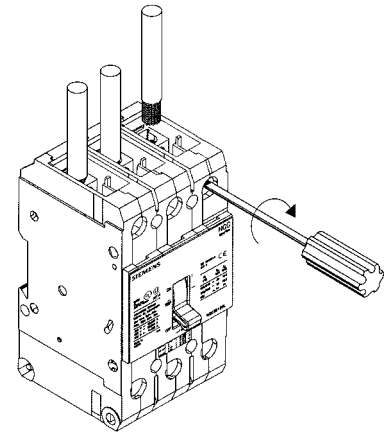
Terminal Connectors

Lug Information for NGG

Breaker Amp Rating (A)	Wire Size (AWG)	Torque Inch-lb. (NM)	Lug Catalog No.
15 – 30	#14 – #10 Al #8 Al	35 (4.0) 40 (4.5)	3TC1Q1 (pkg. of 3)
35 – 125	#8 Al or Cu #3 – 1/0 Cu #6 – #4 Al or Cu #3 – 2/0 Al	40 (4.5) 55 (6.2) 45 (5.1) 55 (6.2)	3TC1GG20 (pkg. of 3)

60/75° C wire

Includes retainer clips



It is possible to remove these terminals of the NGG breaker to allow customer-supplied connections.

Nut Keeper Plates are available instead of lugs for use with customer-supplied connections.