
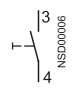
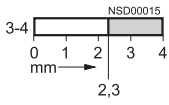
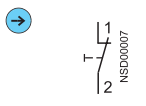
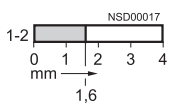

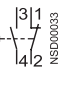
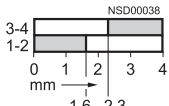
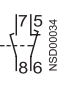
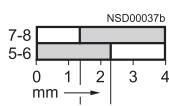
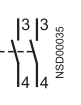
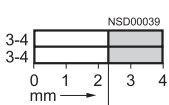
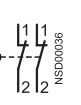
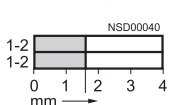
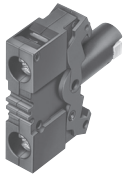


# Pushbutton Units and Indicator Lights

## SIRIUS 3SB3, ○ □ Round and Square Design

### Contact blocks and lampholders

#### Selection and ordering data

Version	Symbols/ LED color	Contact travel contact closed contact open	Order No.	List Price \$	Weight approx. kg	Packs Unit
<b>with screw terminals, for front plate mounting</b>						
Contact block with 1 contact 	<b>Contact block with one contact</b> mounting depth 50 mm					
	1 NO	 NSD00006	 NSD00015	<b>3SB34 00-0B</b>	<b>9.65</b>	0.01 20
	1 NC	 NSD00007	 NSD00017	<b>3SB34 00-0C</b>	<b>9.65</b>	0.01 20
Contact block with 2 contacts 	<b>Contact blocks with 2 contacts</b> mounting depth 65 mm (incl. device identification label)					
	1 NO + 1 NC	 NSD00033	 NSD00038	<b>3SB34 00-0A</b>	<b>19.30</b>	0.019 10
	1 NO leading + 1 NC lagging	 NSD00034	 NSD00037b	<b>3SB34 00-0H</b>	<b>19.30</b>	0.016 10
	2 NO	 NSD00035	 NSD00039	<b>3SB34 00-0D</b>	<b>19.30</b>	0.019 10
	2 NC	 NSD00036	 NSD00040	<b>3SB34 00-0E</b>	<b>19.30</b>	0.019 10
Lampholder with integrated LED 	<b>Lampholder with integrated LED</b>					
	UC 24 V	yellow	<b>3SB34 00-1PA</b>	<b>24.40</b>	0.01	10
		red	<b>3SB34 00-1PB</b>	<b>24.40</b>		
		green	<b>3SB34 00-1PC</b>	<b>24.40</b>		
		blue	<b>3SB34 00-1PD</b>	<b>24.40</b>		
		white	<b>3SB34 00-1PE</b>	<b>24.40</b>		
	AC 110 V	yellow	<b>3SB34 00-1QA</b>	<b>24.40</b>	0.01	10
		red	<b>3SB34 00-1QB</b>	<b>24.40</b>		
		green	<b>3SB34 00-1QC</b>	<b>24.40</b>		
		blue	<b>3SB34 00-1QD</b>	<b>24.40</b>		
		white	<b>3SB34 00-1QE</b>	<b>24.40</b>		
	AC 230 V	yellow	<b>3SB34 00-1RA</b>	<b>24.40</b>	0.01	10
		red	<b>3SB34 00-1RB</b>	<b>24.40</b>		
green		<b>3SB34 00-1RC</b>	<b>24.40</b>			
blue		<b>3SB34 00-1RD</b>	<b>24.40</b>			
white		<b>3SB34 00-1RE</b>	<b>24.40</b>			

→ Positive opening to IEC 60 947-5-1, Appendix K, and DIN VDE 0660 Part 200.